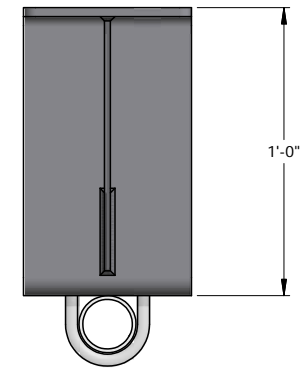
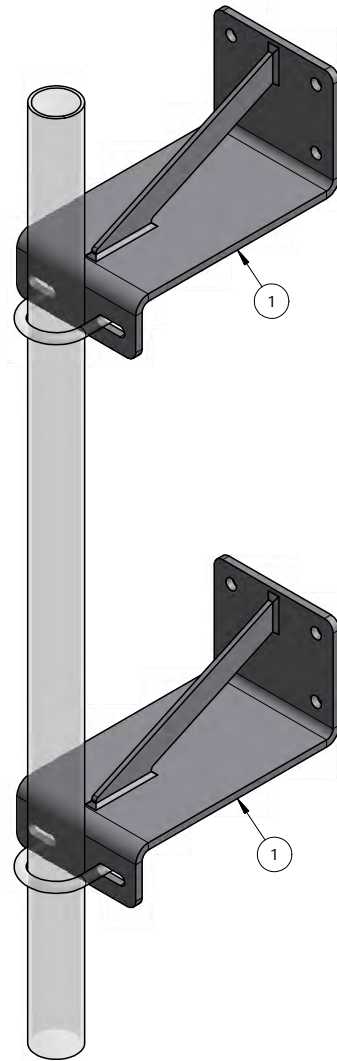


ITEM	PART #	DESCRIPTION	QTY	UNIT WT
1	RT4017	12" STAND OFF WALL MOUNT WELDMENT	2	15.71



TOP VIEW

QTY:
CHK:

STANDARD TOLERANCES:
(UNLESS OTHERWISE NOTED)
FRACTIONS ±1/16"
DECIMALS ±.005"
ANGLES ±.5°

THIS DESIGN AND INFORMATION CONTAINED ON THIS PRINT IS THE PROPERTY OF NEWAVE TOWER COMPONENTS LLC. ANY REPRODUCTION, DUPLICATION OR TRANSFER OF THE PROPRIETARY CONTENT IS PROHIBITED WITHOUT WRITTEN PERMISSION.



MATERIAL: AS SHOWN
HOLES: AS SHOWN
FINISH: HDG
DRAWN BY: Drafter
CHECKED BY:
DATE: 1/14/2014

TITLE: ADJUSTABLE WALL MOUNT W/ 12" STAND OFF (SOLID WALL)
SERIES: ROOFTOP/WALL MOUNT
PART WT (BARE): 31.4 LB
DRAWING NO. RT4017-S
SHEET: 1 OF 1