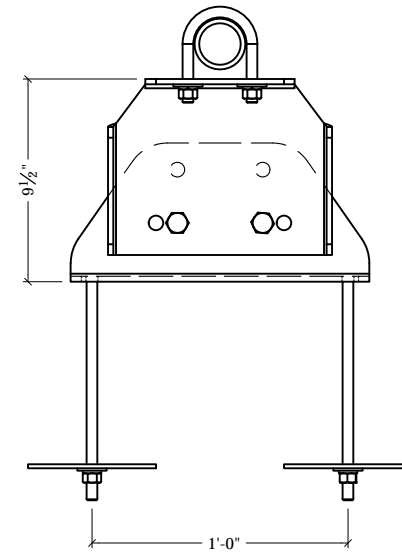
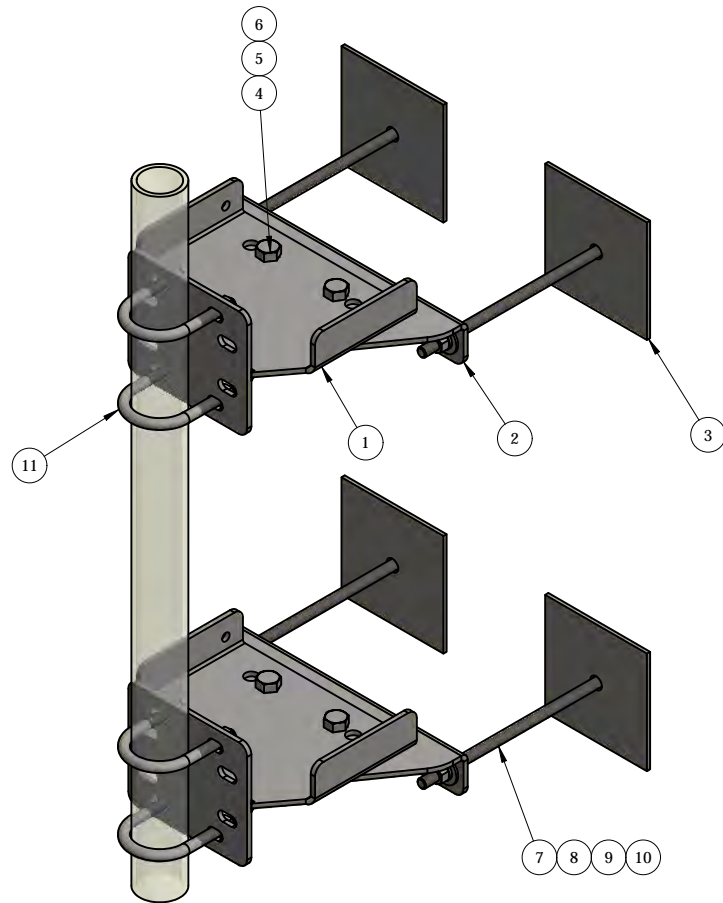


REV	BY	DESCRIPTION	DATE
B	KY	SEE MODEL PROPERTIES/ COMMENTS	2/19/2018



TOP VIEW

ITEM	PART #	QTY	DESCRIPTION	LENGTH	FINISH	UNIT WT
1	RT4021	2	ADJ. WALL MOUNT STANDOFF WELDMENT		HDG	9.78
2	RT4021.03	2	1/4" PLATE		HDG	6.91
3	SFW6-1116G	4	3/16" PLATE		HDG	1.89
4	27-4402-005	4	5/8" x 1 3/4" GR.5 HDG BOLT			0.25
5	27-5380-005	4	5/8 HDG LOCK WASHER			0.03
6	27-5391-005	4	5/8" HDG HEX NUT			0.08
7	TR12-12	4	1/2" x 12" A36 HDG ALL-THREAD	1'		0.67
8	27-5200-005	8	1/2 A36 HDG FLAT WASHER			0.04
9	27-5210-005	8	1/2 HDG LOCK WASHER			0.01
10	27-5222-005	8	1/2 HDG HEX NUT			0.04
11	27-6060-005	4	GALV. 1/2" x 2-1/2" x 4" GR-5 U-BOLT ASSEMBLY			0.76

THIS DESIGN AND INFORMATION CONTAINED ON THIS PRINT IS THE PROPERTY OF VALLEY FAB CORPORATION. ANY REPRODUCTION, DUPLICATION OR TRANSFER OF THE PROPRIETARY CONTENT IS PROHIBITED WITHOUT WRITTEN PERMISSION.

STANDARD TOLERANCES:

(UNLESS OTHERWISE NOTED)

FRACTIONS - 1/16"
 DECIMALS - 0.01"
 ANGLES - 0.5°



TOWER COMPONENTS. 503-792-3739
 10910 PORTLAND RD. BROOKS, OR 97305

TOTAL WT: 48.85 LB

QTY:

FINISH:

JOB #:

TITLE:

ADJUSTABLE WALL MOUNT
 9-1/2" AND 12" STAND-OFF (HOLLOW WALL)

SERIES: ROOFTOP/WALL MOUNT

SHEET: 1 OF 1

DRAWN BY:

JG

DATE:

7/17/2018

CHK'D BY:

KY

DRAWING NO.

RT4021-H