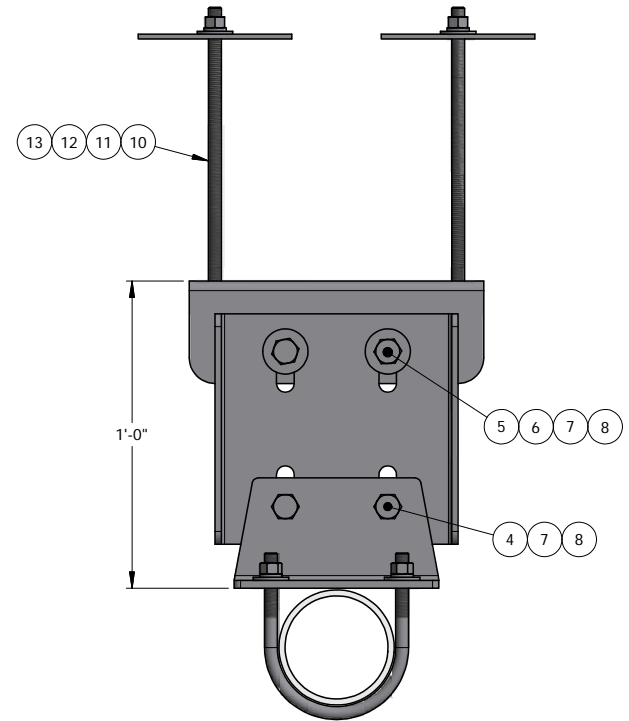


ITEM	PART #	DESCRIPTION	QTY	UNIT WT
1	RT4022.01	1/4" BENT CENTER CHANNEL STAND OFF PLATE	2	7.79
2	AM1029-U.01	UNIVERSALTOWER LEG "L" BENT MOUNT PLATE	2	4.82
3	MCMXX.01	UNIVERSAL BENT MOUNT PLATE	4	4.56
4	27-4403-005	GALV. 5/8" x 2" GR.5 BOLT	4	.27
5	27-4402-005	GALV. 5/8" x 1-3/4" GR.5 BOLT	4	.25
6	27-5370-005	GALV. 5/8" FLAT WASHER	4	.07
7	27-5380-005	GALV. 5/8" LOCK WASHER	8	.03
8	27-5391-005	GALV. 5/8" HEX NUT	8	.08
9	27-6130-005	GALV. 1/2" x 4-5/8" x 6" U-BOLT ASSEMBLY	4	1.06
10	TR12-12	GALV.1/2" x 12" ALL-THREAD	4	.67
11	27-5200-005	GALV. 1/2" FLAT WASHER	8	.04
12	27-5210-005	GALV. 1/2" LOCK WASHER	8	.01
13	27-5222-005	GALV. 1/2" HEX NUT	8	.04
14	SFW6-1116G	GALV. 6" SQUARE WASHER W/ 11/16" HOLE	4	1.90



TOP VIEW

QTY:
CHK:

STANDARD TOLERANCES:
(UNLESS OTHERWISE NOTED)
FRACTIONS ±1/16"
DECIMALS ±.005"
ANGLES ±.5°

THIS DESIGN AND INFORMATION CONTAINED ON THIS PRINT IS THE PROPERTY OF NEWAVE TOWER COMPONENTS LLC. ANY REPRODUCTION, DUPLICATION OR TRANSFER OF THE PROPRIETARY CONTENT IS PROHIBITED WITHOUT WRITTEN PERMISSION.

NEWAVE
Tower Components. 503-792-3739
10910 PORTLAND RD. BROOKS, OR 97305

MATERIAL: AS SHOWN
HOLES: AS SHOWN
FINISH: HDG
DRAWN BY: KY
CHECKED BY:
DATE: 6/9/2014

TITLE: WALL MOUNT FOR 4-1/2" O.D PIPE W/ 9-1/2" TO 12" STAND OFF (HALLOW WALL)
SERIES: ROOFTOP/ WALL MOUNT
PART WT (BARE): 62.0 LB
DRAWING NO. RT4022-H
SHEET: 1 OF 1