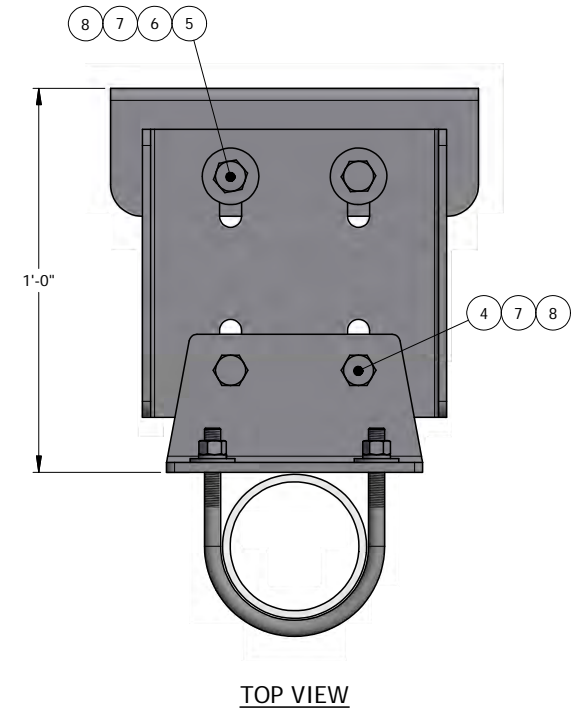
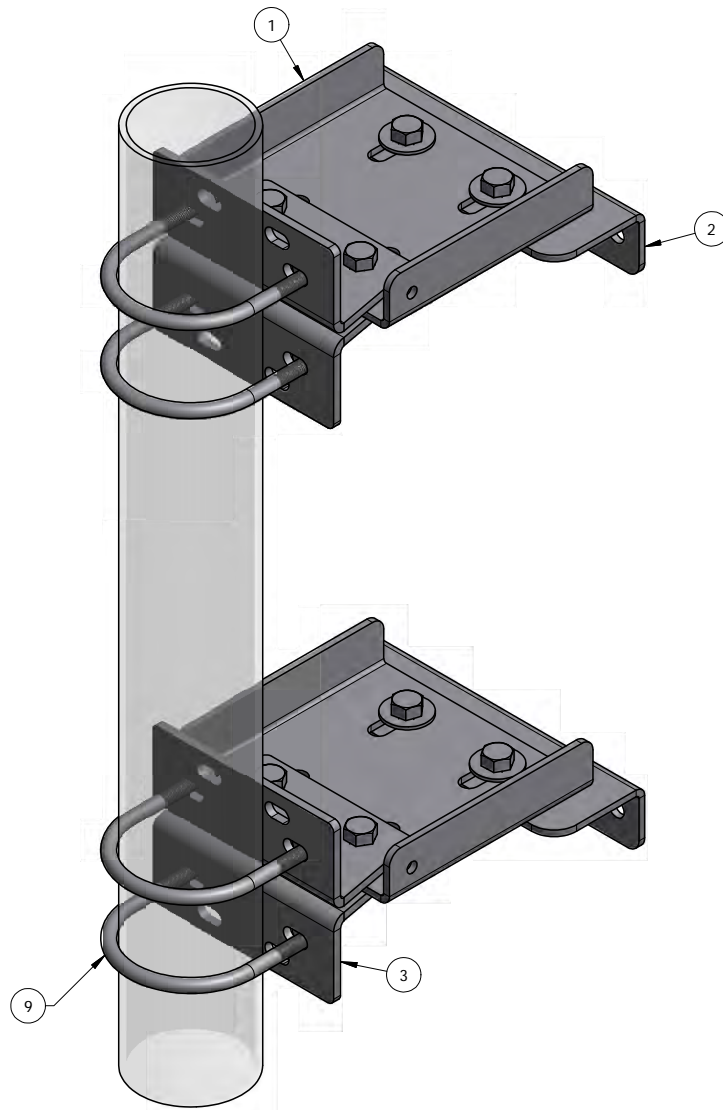


ITEM	PART #	DESCRIPTION	QTY	UNIT WT
1	RT4022.01	1/4" BENT CENTER CHANNEL STAND OFF PLATE	2	7.79
2	AM1029-U.01	UNIVERSALTOWER LEG "L" BENT MOUNT PLATE	2	4.82
3	MCMXX.01	UNIVERSAL BENT MOUNT PLATE	4	4.56
4	27-4403-005	GALV. 5/8" x 2" GR.5 BOLT	4	.27
5	27-4402-005	GALV. 5/8" x 1-3/4" GR.5 BOLT	4	.25
6	27-5370-005	GALV. 5/8" FLAT WASHER	4	.07
7	27-5380-005	GALV. 5/8" LOCK WASHER	8	.03
8	27-5391-005	GALV. 5/8" HEX NUT	8	.08
9	27-6130-005	GALV. 1/2" x 4-5/8" x 6" U-BOLT ASSEMBLY	4	1.06



QTY:
CHK:

STANDARD TOLERANCES:
(UNLESS OTHERWISE NOTED)
FRACTIONS ±1/16"
DECIMALS ±.005"
ANGLES ±.5°

THIS DESIGN AND INFORMATION CONTAINED ON THIS PRINT IS THE PROPERTY OF NEWAVE TOWER COMPONENTS LLC. ANY REPRODUCTION, DUPLICATION OR TRANSFER OF THE PROPRIETARY CONTENT IS PROHIBITED WITHOUT WRITTEN PERMISSION.



MATERIAL: AS SHOWN
HOLES: AS SHOWN
FINISH: HDG

DRAWN BY: KY
CHECKED BY:
DATE: 6/9/2014

TITLE: WALL MOUNT FOR 4-1/2" O.D PIPE W/ 9-1/2" TO 12" STAND OFF (SOLID WALL)

SERIES: ROOFTOP/ WALL MOUNT

PART WT (BARE): 50.9 LB
DRAWING NO. RT4022-S
SHEET: 1 OF 1