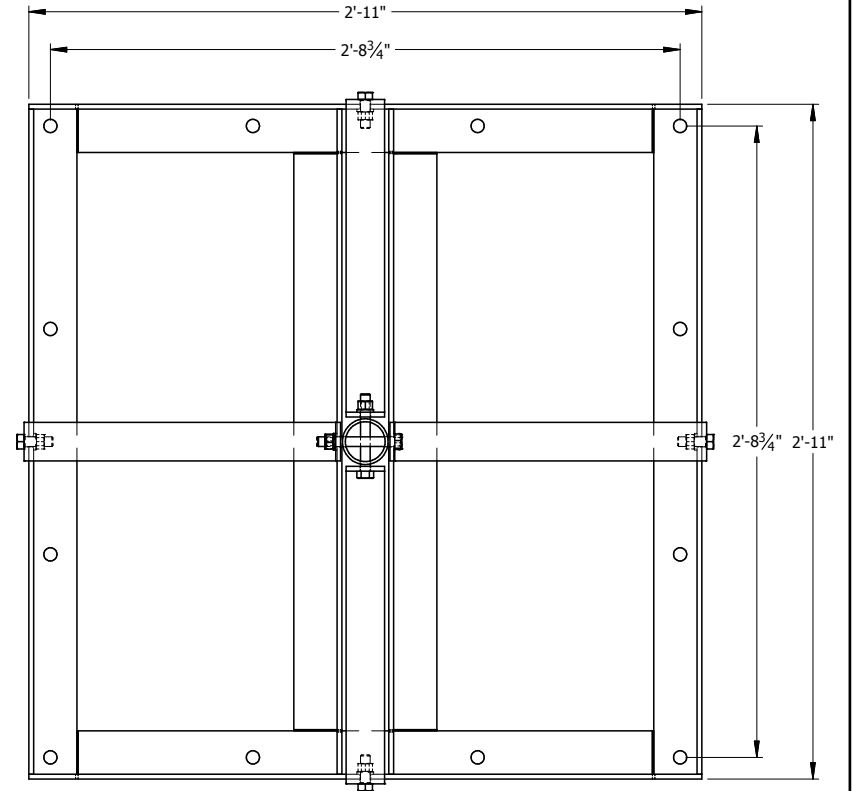
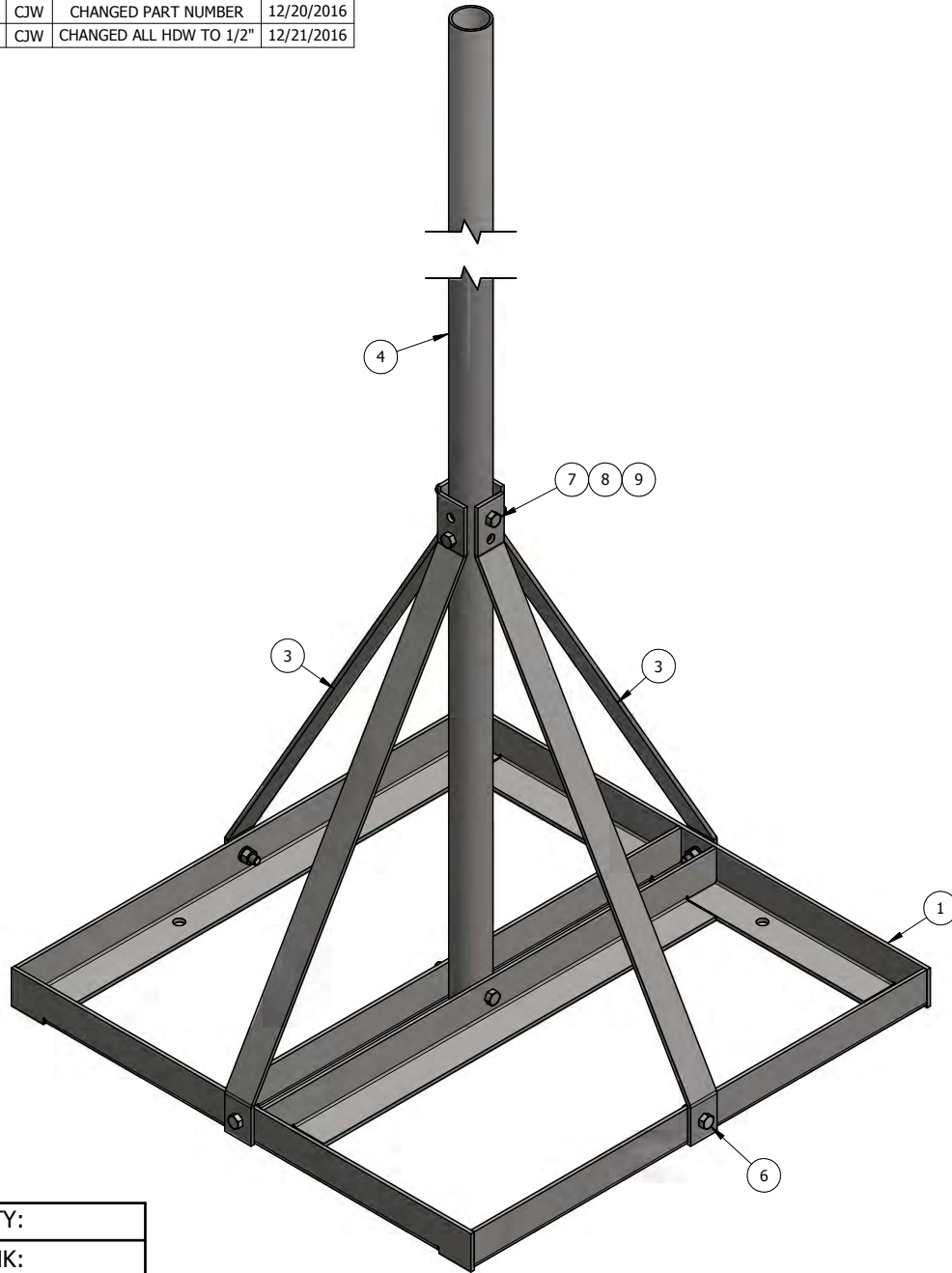


REV	BY	DESCRIPTION	DATE
A	CJW	CHANGED PART NUMBER	12/20/2016
B	CJW	CHANGED ALL HDW TO 1/2"	12/21/2016

ITEM	PART #	DESCRIPTION	QTY	UNIT WT
1	RT4024-23.01	35" SQ. ROOFTOP SLED	1	64.99
3	RT4024-23.05	2X1/4" F.B. @ 3'-1 7/8" LONG	4	5.36
4	RT4024-23.06	2" STD PIPE @ 10'-6" LONG	1	38.33
6	27-4301-005	GALV. 1/2" x 1-1/2" GR.5 BOLT	4	0.13
7	27-5210-005	GALV. 1/2" LOCK WASHER	7	0.01
8	27-5222-005	GALV. 1/2" HEX NUT	7	0.04
9	27-4310-005	GALV. 1/2" x 4" GR.5 FULL THREADED BOLT	3	0.27



TOP VIEW

QTY:
CHK:

STANDARD TOLERANCES:
(UNLESS OTHERWISE NOTED)

FRACTIONS	±1/16"
1 DECIMAL	±.1"
2 DECIMAL	±.03"
3 DECIMAL	±.005"
ANGLES	±.5°

THIS DESIGN AND INFORMATION CONTAINED ON THIS PRINT IS THE PROPERTY OF NEWAVE TOWER COMPONENTS LLC. ANY REPRODUCTION, DUPLICATION OR TRANSFER OF THE PROPRIETARY CONTENT IS PROHIBITED WITHOUT WRITTEN PERMISSION.



MATERIAL: AS SHOWN		TITLE: 35" SQ ROOFTOP ANTENNA FRAME FOR 2" STD PIPE MAST		
GRADE: N/A	DRAWN BY: JG	SERIES: ROOFTOP/WALL MOUNTING		
FINISH: HDG	CHECKED BY: CJW	DATE: 7/2/2015	PART WT (BARE): 126.5 LB	DRAWING NO. RT4024-23