
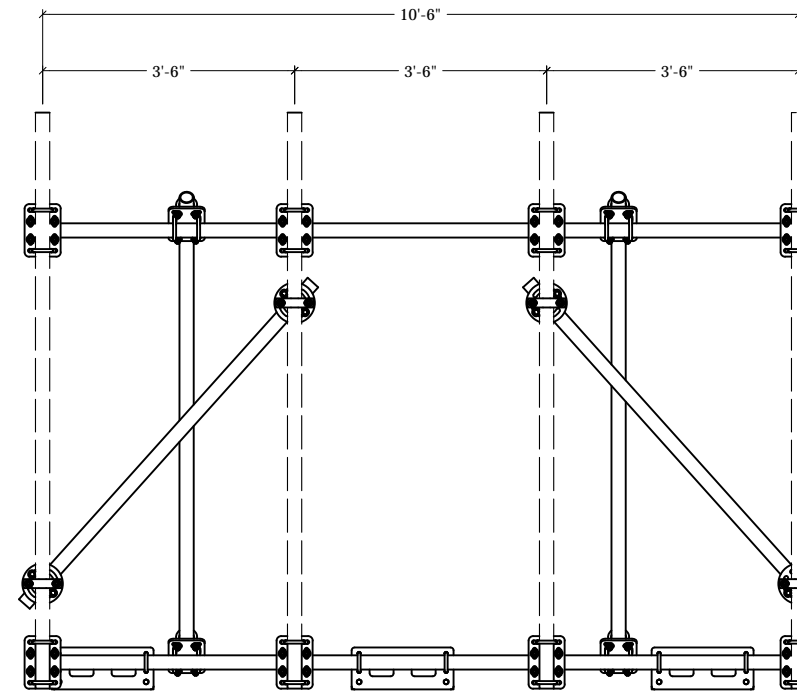
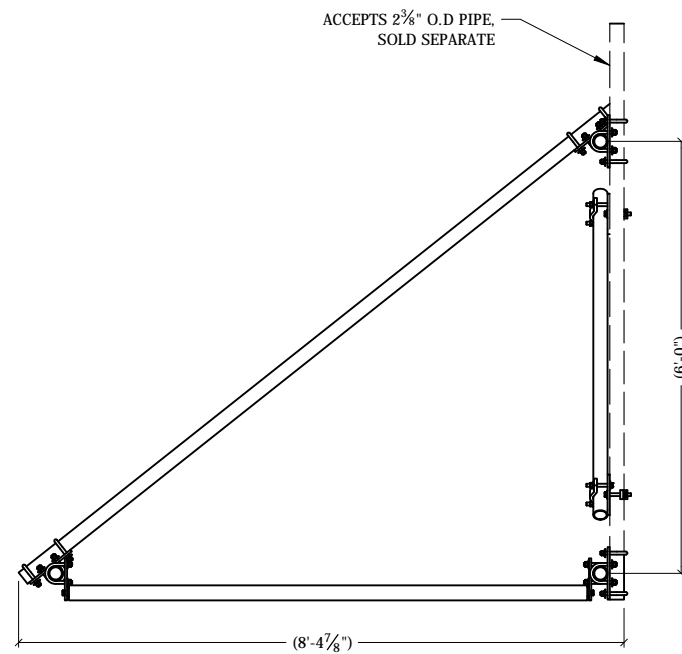
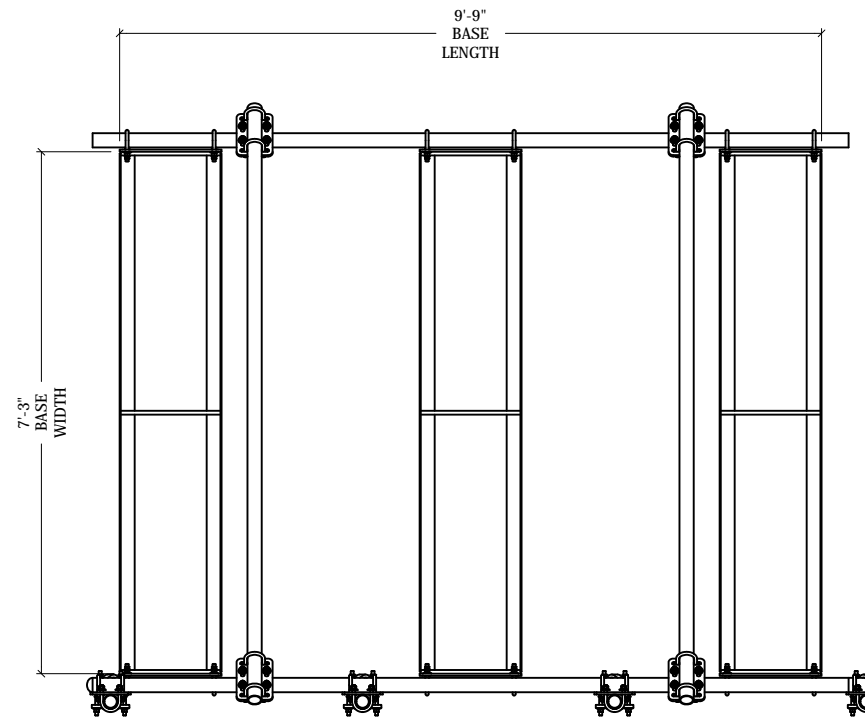


ITEM	PART #	QTY	DESCRIPTION	LENGTH	FINISH	UNIT WT
1	RTNP-PF.01	6	3/8" PLATE		HDG	9.70
2	RT4007.01	3	ROOFTOP NON-PENETRATING TRAY WELDMENT		HDG	61.60
3	P23-126	5	2" STD PIPE	10'-6"	HDG	38.40
4	P23-72	2	2" STD PIPE	6'	HDG	21.94
5	CXP1	12	3/8" PLATE		SEE W/O	4.81
6	CX13R.01	4	3/8" PLATE		HDG	3.09
7	AMCS-3.01	8	1/2" PLATE		SEE W/O	1.26
8	27-4310-005	16	GALV. 1/2" x 4" GR.5 FULL THREADED BOLT			0.27
9	27-4303-005	12	1/2" x 2" GR.5 HDG BOLT			0.16
10	27-5200-005	32	1/2 A36 HDG FLAT WASHER			0.04
11	27-5210-005	28	1/2 HDG LOCK WASHER			0.01
12	27-5222-005	28	1/2 HDG HEX NUT			0.04
13	27-6060-005	60	GALV. 1/2" x 2-1/2" x 4" GR-5 U-BOLT ASSEMBLY			0.76

THIS DESIGN AND INFORMATION CONTAINED ON THIS PRINT IS THE PROPERTY OF VALLEY FAB CORPORATION. ANY REPRODUCTION, DUPLICATION OR TRANSFER OF THE PROPRIETARY CONTENT IS PROHIBITED WITHOUT WRITTEN PERMISSION.

STANDARD TOLERANCES: (UNLESS OTHERWISE NOTED) FRACTIONS - 1/16" DECIMALS - 0.01" ANGLES - 0.5°	 NEWAVE TOWER COMPONENTS, 503-792-3739 10910 PORTLAND RD. BROOKS, OR 97305	TOTAL WT: 613.7 LB QTY: FINISH: JOB #:
---	---	---

TITLE:		DRAWN BY:	DATE:	CHK'D BY:
ROOFTOP NON-PENETRATING PIPE FRAME W/ 10'-6" FACE		KY	4/20/2020	-
SERIES: ROOFTOP/WALL MOUNTING		SHEET: 1 OF 2		DRAWING NO.: RTNP-PF-10



THIS DESIGN AND INFORMATION CONTAINED ON THIS PRINT IS THE PROPERTY OF VALLEY FAB CORPORATION. ANY REPRODUCTION, DUPLICATION OR TRANSFER OF THE PROPRIETARY CONTENT IS PROHIBITED WITHOUT WRITTEN PERMISSION.

STANDARD TOLERANCES:

(UNLESS OTHERWISE NOTED)
 FRACTIONS - 1/16"
 DECIMALS - 0.01"
 ANGLES - 0.5°



TOWER COMPONENTS, 503-792-3739
 10910 PORTLAND RD. BROOKS, OR 97305

TOTAL WT: 613.7 LB

QTY:

FINISH:

JOB #:

TITLE:

ROOFTOP NON-PENETRATING
 PIPE FRAME W/ 10'-6" FACE

SERIES: ROOFTOP/WALL MOUNTING

SHEET: 2 OF 2

DRAWN BY: DATE: CHK'D BY:

KY 4/20/2020 -

DRAWING NO.

RTNP-PF-10