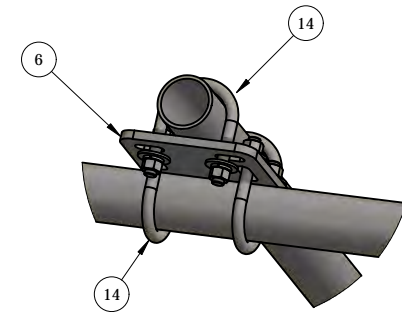
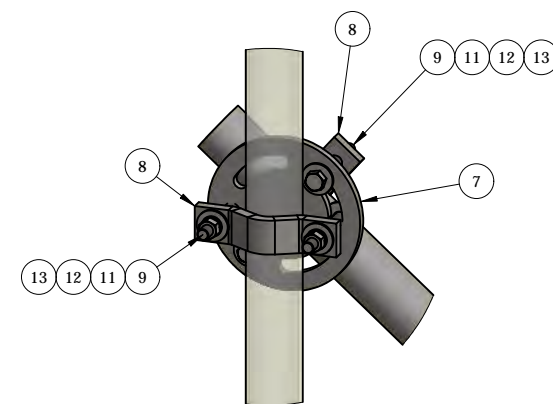


DETAIL A



DETAIL B



DETAIL C

| ITEM | PART # | QTY | DESCRIPTION | LENGTH | FINISH | UNIT WT |
|------|-------------|-----|---|--------|---------|---------|
| 1 | RTNP-PF.01 | 8 | 3/8" PLATE | | HDG | 9.70 |
| 2 | RT4007.01 | 4 | ROOFTOP NON-PENETRATING TRAY WELDMENT | | HDG | 61.60 |
| 3 | P23-156 | 3 | 2" STD PIPE | 13' | HDG | 47.54 |
| 4 | P23-126 | 2 | 2" STD PIPE | 10'-6" | HDG | 38.40 |
| 5 | P23-72 | 2 | 2" STD PIPE | 6' | HDG | 21.94 |
| 6 | CXP1 | 12 | 3/8" PLATE | | SEE W/O | 4.81 |
| 7 | CX13R.01 | 4 | 3/8" PLATE | | HDG | 3.09 |
| 8 | AMCS-3.01 | 8 | 1/2" PLATE | | SEE W/O | 1.26 |
| 9 | 27-4310-005 | 16 | GALV. 1/2" x 4" GR.5 FULL THREADED BOLT | | | 0.27 |
| 10 | 27-4303-005 | 16 | 1/2" x 2" GR.5 HDG BOLT | | | 0.16 |
| 11 | 27-5200-005 | 32 | 1/2 A36 HDG FLAT WASHER | | | 0.04 |
| 12 | 27-5210-005 | 32 | 1/2 HDG LOCK WASHER | | | 0.01 |
| 13 | 27-5222-005 | 32 | 1/2 HDG HEX NUT | | | 0.04 |
| 14 | 27-6060-005 | 64 | GALV. 1/2" x 2-1/2" x 4" GR-5 U-BOLT ASSEMBLY | | | 0.76 |

THIS DESIGN AND INFORMATION CONTAINED ON THIS PRINT IS THE PROPERTY OF VALLEY FAB CORPORATION. ANY REPRODUCTION, DUPLICATION OR TRANSFER OF THE PROPRIETARY CONTENT IS PROHIBITED WITHOUT WRITTEN PERMISSION.

STANDARD TOLERANCES:
(UNLESS OTHERWISE NOTED)
FRACTIONS - 1/16"
DECIMALS - 0.01"
ANGLES - 0.5°

NEWAVE
TOWER COMPONENTS, 503-792-3739
10910 PORTLAND RD. BROOKS, OR 97305

TOTAL WT: 726.05 LB
QTY:
FINISH:
JOB #:

TITLE: **ROOFTOP NON-PENETRATING PIPE FRAME W/ 12'-6" FACE**

SERIES: ROOFTOP/WALL MOUNTING SHEET: 1 OF 2

DRAWN BY: **JG** DATE: **7/17/2018** CHK'D BY: **KY**

DRAWING NO. **RTNP-PF-12**