

ITEM	PART #	QTY	DESCRIPTION	LENGTH	FINISH	UNIT WT
1	RTNP-PF.01	4	3/8" PLATE		HDG	9.70
2	RT4007.01	2	ROOFTOP NON-PENETRATING TRAY WELDMENT		HDG	61.60
3	P23-126	2	2" STD PIPE	10'-6"	HDG	38.40
4	P23-96	1	2" STD PIPE	8'	HDG	29.25
5	P23-84	3	2" STD PIPE	7'	HDG	25.60
6	CXP1	8	3/8" PLATE		SEE W/O	4.81
7	CX13R.01	2	3/8" PLATE		HDG	3.09
8	AMCS-3.01	4	1/2" PLATE		SEE W/O	1.26
9	27-5321-005	8	GALV. 1/2" X 6" GR.5 CARRAGE BOLT			0.37
10	27-4303-005	8	1/2" X 2" GR.5 HDG BOLT			0.16
11	27-5200-005	8	1/2 A36 HDG FLAT WASHER			0.04
12	27-5210-005	16	1/2 HDG LOCK WASHER			0.01
13	27-5222-005	16	1/2 HDG HEX NUT			0.04
14	27-6060-005	40	GALV. 1/2" X 2-1/2" X 4" GR-5 U-BOLT ASSEMBLY			0.76

THIS DESIGN AND INFORMATION CONTAINED ON THIS PRINT IS THE PROPERTY OF VALLEY FAB CORPORATION. ANY REPRODUCTION, DUPLICATION OR TRANSFER OF THE PROPRIETARY CONTENT IS PROHIBITED WITHOUT WRITTEN PERMISSION.

STANDARD TOLERANCES:
(UNLESS OTHERWISE NOTED)
FRACTIONS - 1/16"
DECIMALS - 0.01"
ANGLES - 0.5°

NEWAVE
TOWER COMPONENTS, 503-792-3739
10910 PORTLAND RD. BROOKS, OR 97305

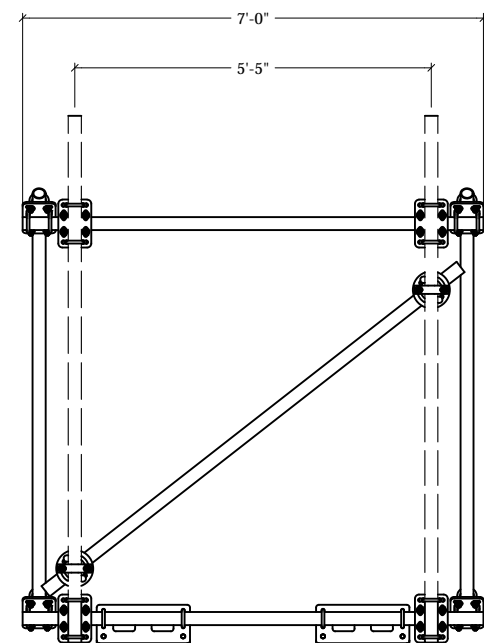
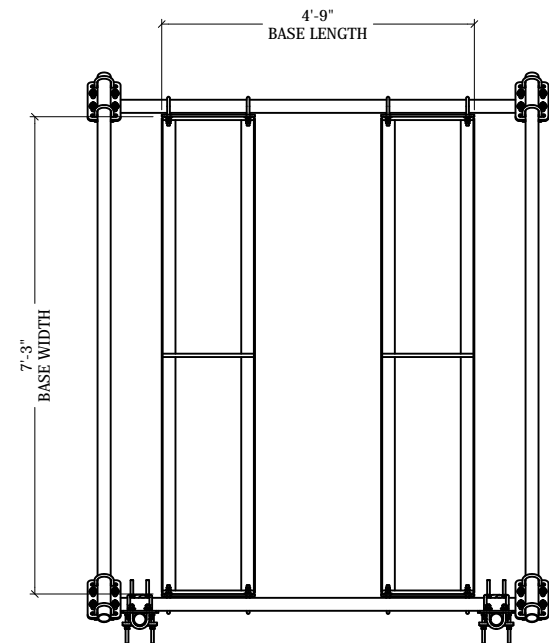
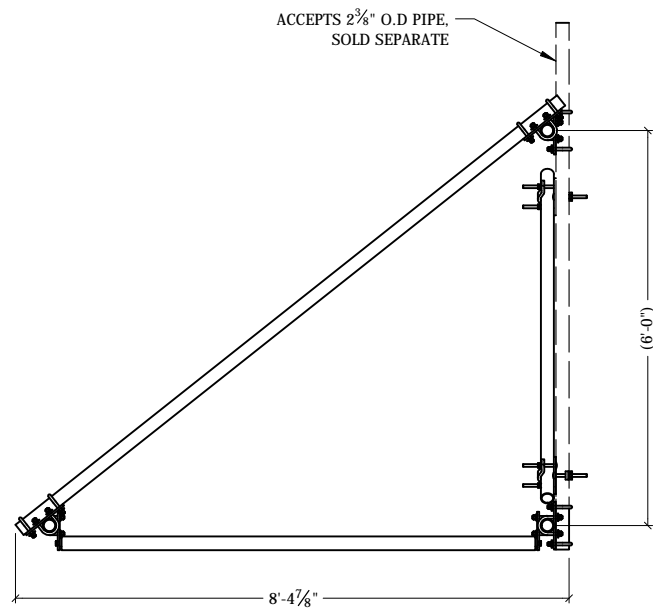
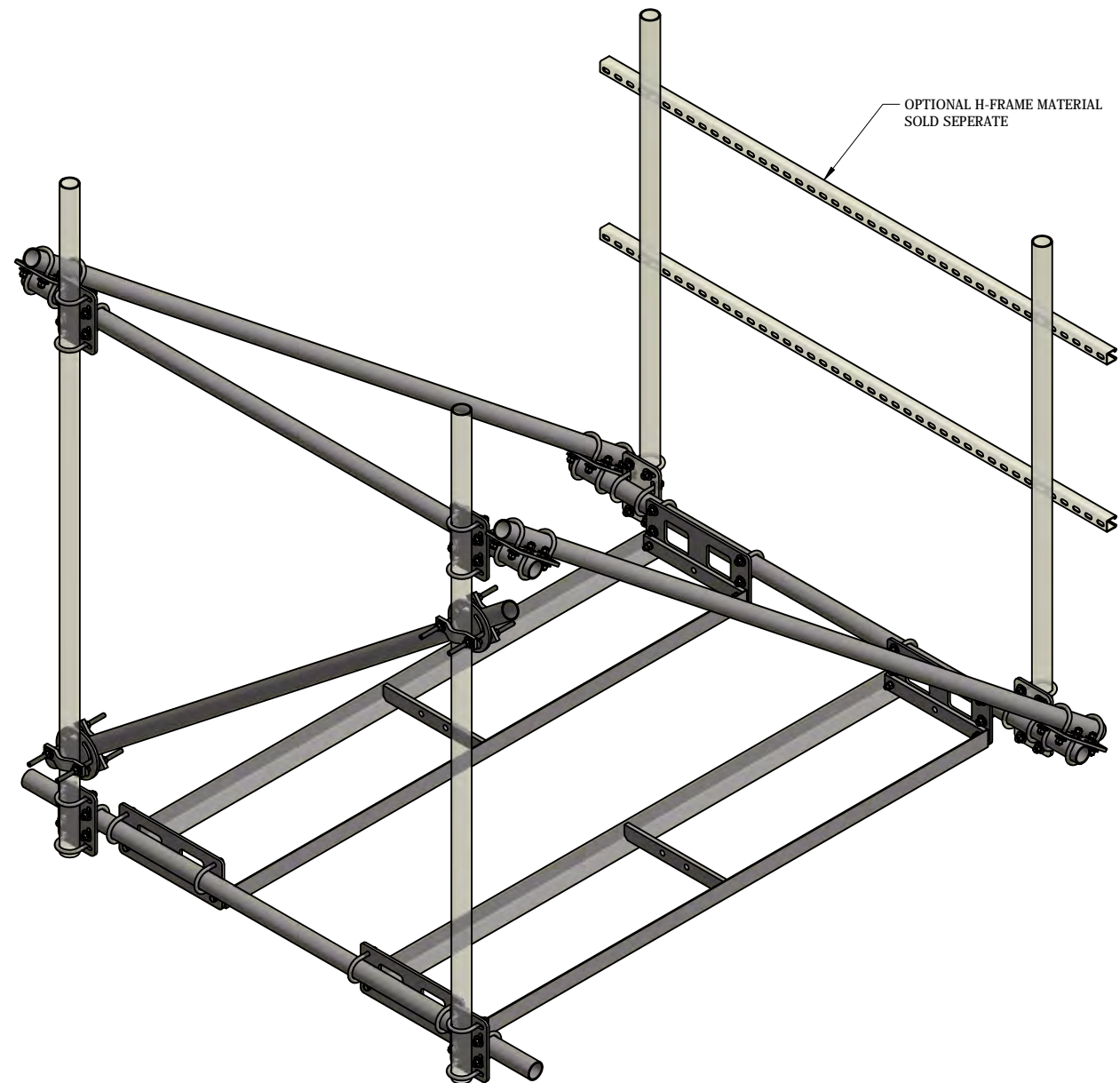
TOTAL WT: 430.4 LB
QTY:
FINISH:
JOB #:

TITLE: **ROOFTOP NON-PENETRATING PIPE FRAME W/ 7' FACE**

SERIES: ROOFTOP/WALL MOUNTING SHEET: 1 OF 2

DRAWN BY: **JG** DATE: **1/15/2020** CHK'D BY: **KY**

DRAWING NO. **RTNP-PF-7**



THIS DESIGN AND INFORMATION CONTAINED ON THIS PRINT IS THE PROPERTY OF VALLEY FAB CORPORATION. ANY REPRODUCTION, DUPLICATION OR TRANSFER OF THE PROPRIETARY CONTENT IS PROHIBITED WITHOUT WRITTEN PERMISSION.	
STANDARD TOLERANCES: (UNLESS OTHERWISE NOTED)	TOTAL WT: 430.4 LB
FRACTIONS - 1/16"	QTY:
DECIMALS - 0.01"	FINISH:
ANGLES - 0.5°	JOB #:

NEWAVE
 TOWER COMPONENTS, 503-792-3739
 10910 PORTLAND RD. BROOKS, OR 97305

TITLE:	ROOFTOP NON-PENETRATING PIPE FRAME W/ 7' FACE
SERIES:	ROOFTOP/WALL MOUNTING
SHEET:	2 OF 2

DRAWN BY:	DATE:	CHK'D BY:
JG	1/15/2020	KY
DRAWING NO. RTNP-PF-7		