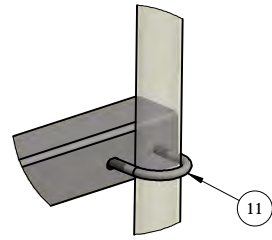
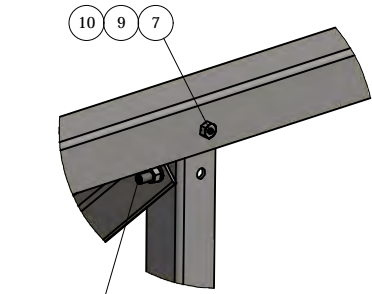


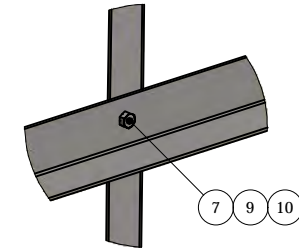
REV	BY	DESCRIPTION	DATE
A	KY	SEE MODEL PROPERTIES/ COMMENTS	2/26/2016



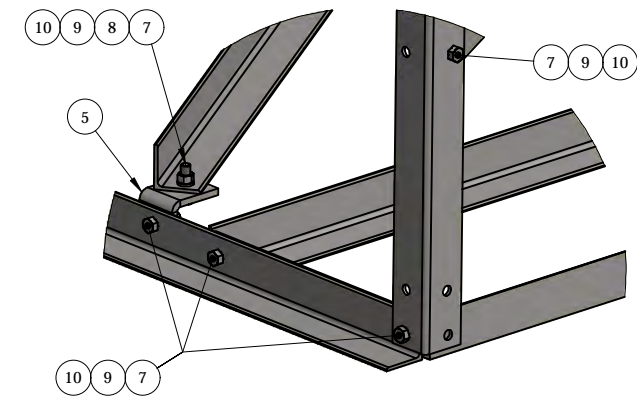
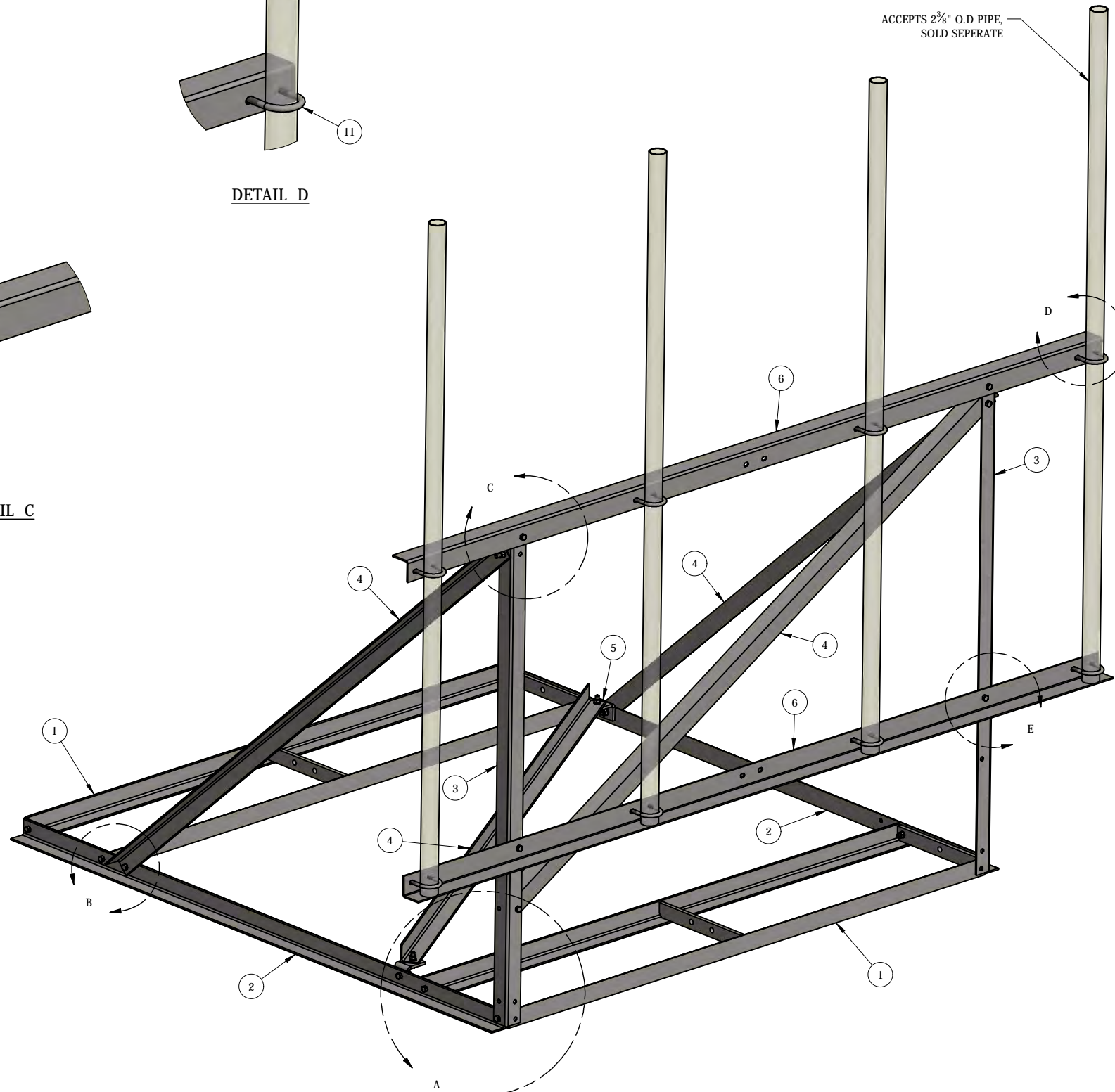
DETAIL D



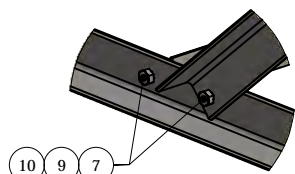
DETAIL C



DETAIL E



DETAIL A



DETAIL B

ITEM	PART #	QTY	DESCRIPTION	LENGTH	FINISH	UNIT WT
1	RT4007.01	2	ROOFTOP NON-PENETRATING TRAY WELDMENT		HDG	61.60
2	RTNPF.01	2	L2 1/2x2 1/2x3/16"	7'-10 1/2"	HDG	24.30
3	RTNPF.02	2	3/16" PLATE		HDG	17.53
4	RTNPF.03	4	L2 1/2x2 1/2x3/16"	8'-4 1/8"	HDG	25.80
5	RTNPF.04	2	3/8" PLATE		HDG	1.32
6	RTNPF-10.01	2	3/16" PLATE		HDG	38.08
7	27-4302-005	21	1/2" x 1 3/4" GR.5 HDG BOLT			0.15
8	27-5200-005	2	1/2" A36 HDG FLAT WASHER			0.04
9	27-5210-005	21	1/2" HDG LOCK WASHER			0.01
10	27-5222-005	21	1/2" HDG HEX NUT			0.04
11	27-6060-005	8	GALV. 1/2" x 2-1/2" x 4" GR-5 U-BOLT ASSEMBLY			0.76

THIS DESIGN AND INFORMATION CONTAINED ON THIS PRINT IS THE PROPERTY OF VALLEY FAB CORPORATION. ANY REPRODUCTION, DUPLICATION OR TRANSFER OF THE PROPRIETARY CONTENT IS PROHIBITED WITHOUT WRITTEN PERMISSION.

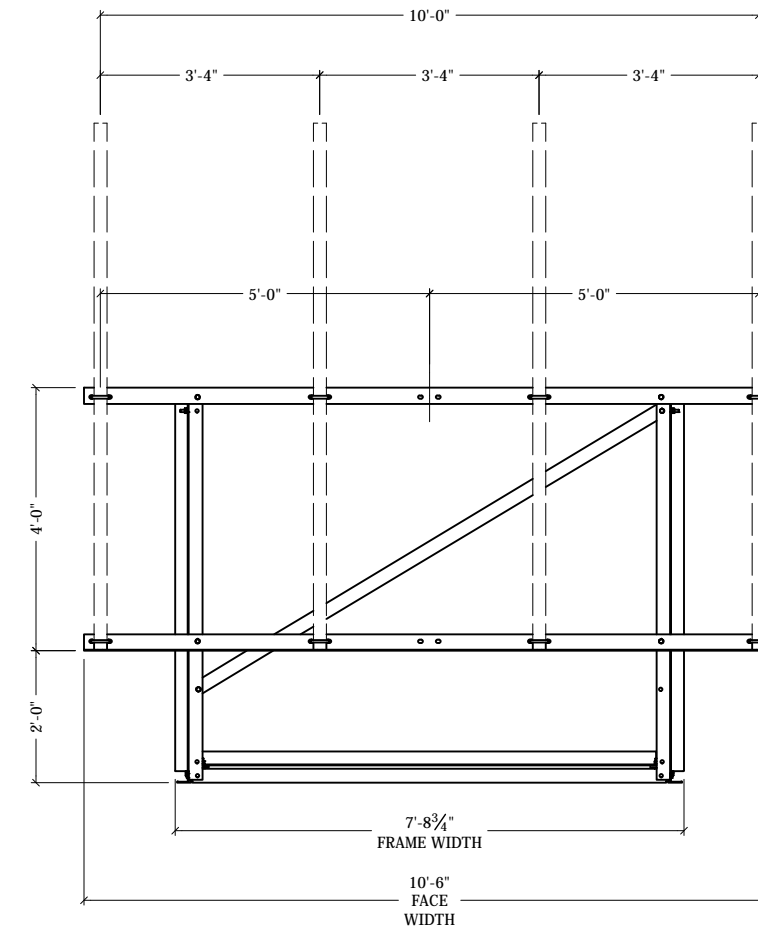
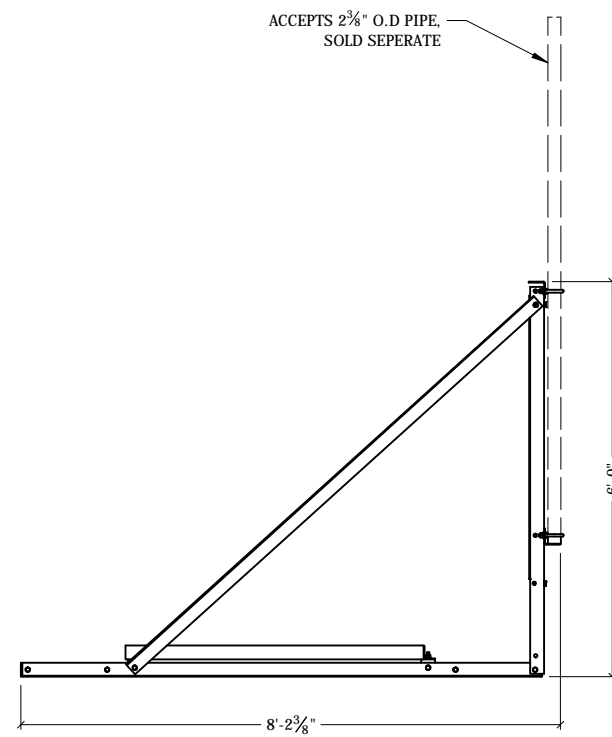
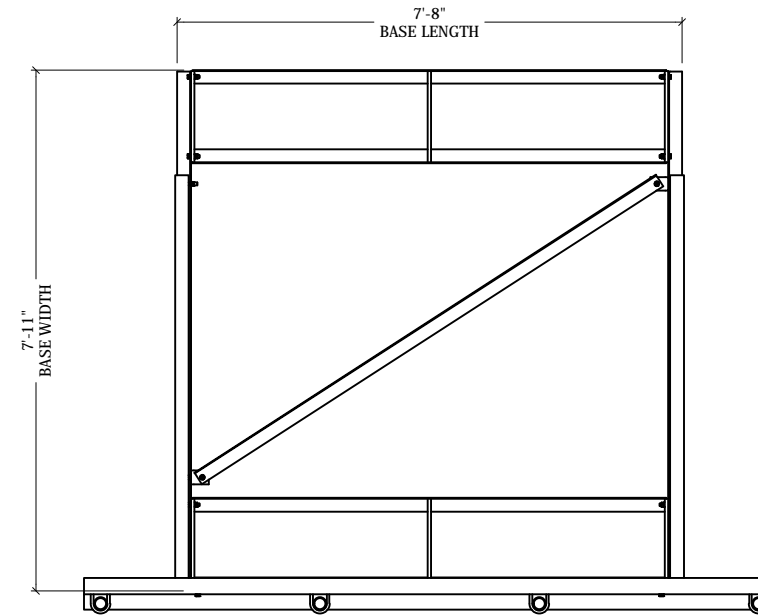
STANDARD TOLERANCES:
(UNLESS OTHERWISE NOTED)
FRACTIONS - 1/16"
DECIMALS - 0.01"
ANGLES - 0.5°

NEWAVE
TOWER COMPONENTS, 503-792-3739
10910 PORTLAND RD. BROOKS, OR 97305

TOTAL WT: 399.35 LB
QTY:
FINISH:
JOB #:

TITLE: ROOFTOP NON-PENETRATING 10' FACE FRAME		DRAWN BY: JG	DATE: 7/17/2018	CHK'D BY: KY
SERIES: ROOFTOP/ WALL MOUNT	SHEET: 1 OF 2	DRAWING NO. RTNPF-10		

REV	BY	DESCRIPTION	DATE
A	KY	SEE MODEL PROPERTIES/ COMMENTS	2/26/2016



THIS DESIGN AND INFORMATION CONTAINED ON THIS PRINT IS THE PROPERTY OF VALLEY FAB CORPORATION. ANY REPRODUCTION, DUPLICATION OR TRANSFER OF THE PROPRIETARY CONTENT IS PROHIBITED WITHOUT WRITTEN PERMISSION.

STANDARD TOLERANCES:

(UNLESS OTHERWISE NOTED)
 FRACTIONS - 1/16"
 DECIMALS - 0.01"
 ANGLES - 0.5°



TOWER COMPONENTS, 503-792-3739
 10910 PORTLAND RD. BROOKS, OR 97305

TOTAL WT: 399.35 LB

QTY:

FINISH:

JOB #:

TITLE:

ROOFTOP NON-PENETRATING
 10' FACE FRAME

SERIES: ROOFTOP/ WALL MOUNT

SHEET: 2 OF 2

DRAWN BY: DATE: CHK'D BY:

JG 7/17/2018 KY

DRAWING NO.

RTNPF-10