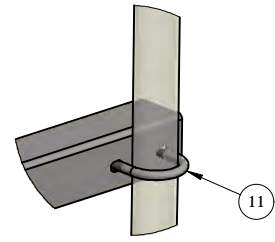
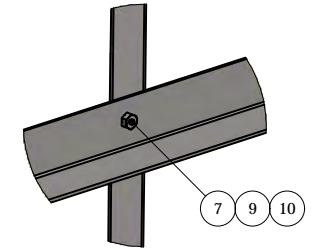


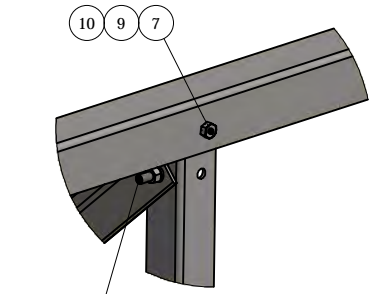
REV	BY	DESCRIPTION	DATE
A	KY	SEE MODEL PROPERTIES/ COMMENTS	2/26/2016



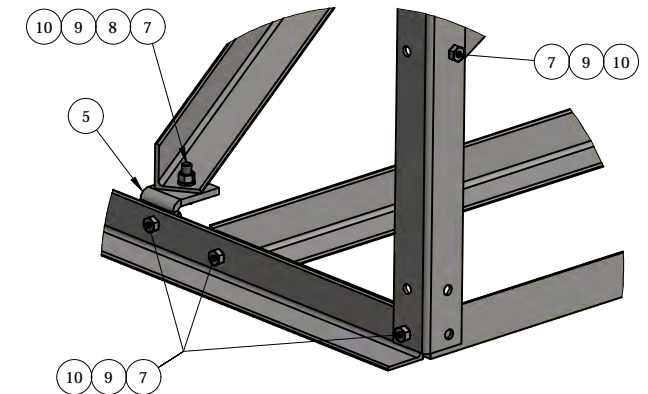
DETAIL D



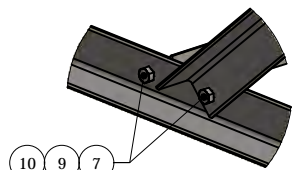
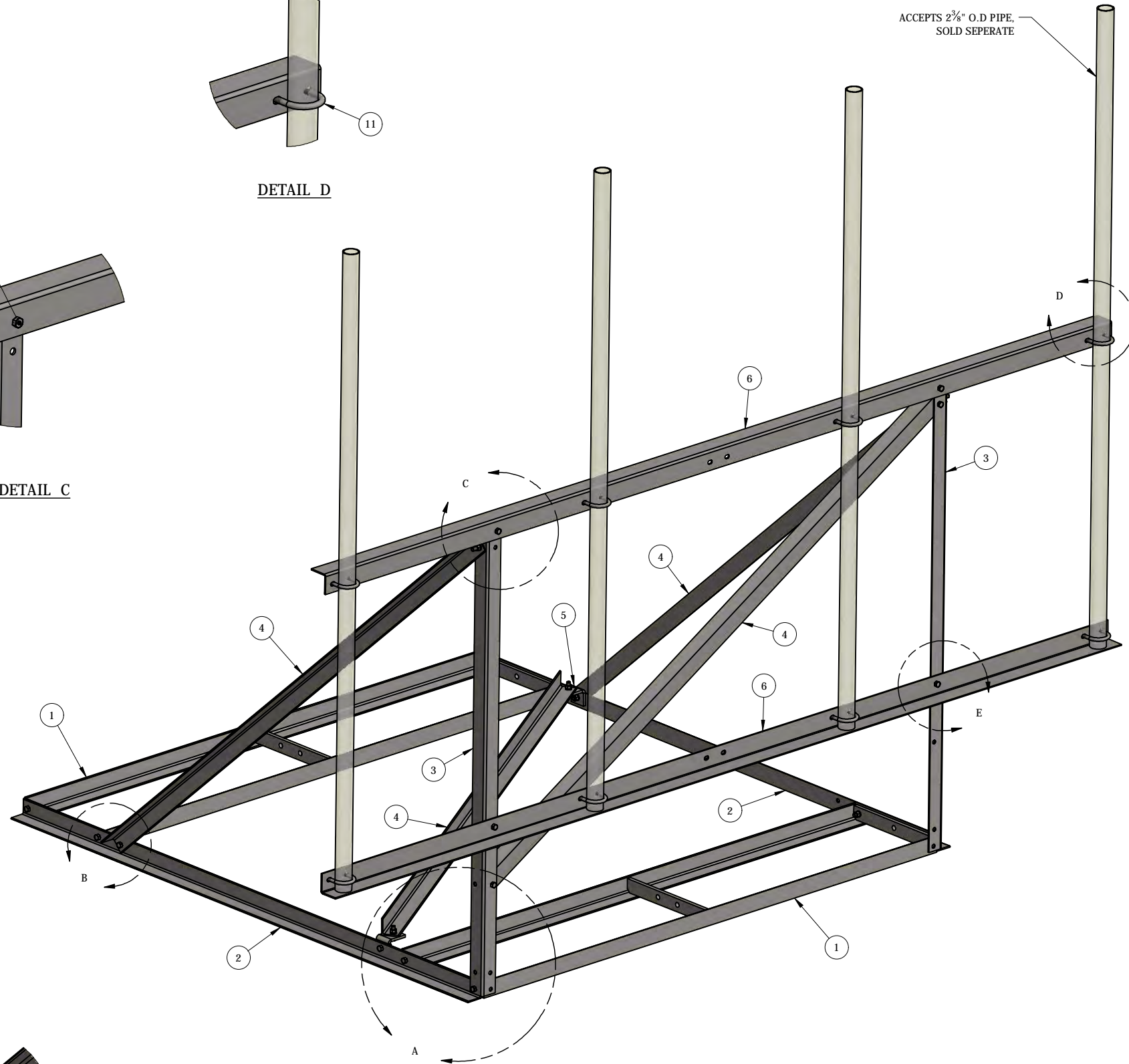
DETAIL E



DETAIL C



DETAIL A



DETAIL B

ITEM	PART #	QTY	DESCRIPTION	LENGTH	FINISH	UNIT WT
1	RT4007.01	2	ROOFTOP NON-PENETRATING TRAY WELDMENT		HDG	61.60
2	RTNPF.01	2	L2 1/2x2 1/2x3/16"	7'-10 1/2"	HDG	24.30
3	RTNPF.02	2	3/16" PLATE		HDG	17.53
4	RTNPF.03	4	L2 1/2x2 1/2x3/16"	8'-4 1/8"	HDG	25.80
5	RTNPF.04	2	3/8" PLATE		HDG	1.32
6	RTNPF-12.01	2	3/16" PLATE		HDG	45.38
7	27-4302-005	21	1/2" x 1 3/4" GR.5 HDG BOLT			0.15
8	27-5200-005	2	1/2" A36 HDG FLAT WASHER			0.04
9	27-5210-005	21	1/2" HDG LOCK WASHER			0.01
10	27-5222-005	21	1/2" HDG HEX NUT			0.04
11	27-6060-005	8	GALV. 1/2" x 2-1/2" x 4" GR-5 U-BOLT ASSEMBLY			0.76

THIS DESIGN AND INFORMATION CONTAINED ON THIS PRINT IS THE PROPERTY OF VALLEY FAB CORPORATION. ANY REPRODUCTION, DUPLICATION OR TRANSFER OF THE PROPRIETARY CONTENT IS PROHIBITED WITHOUT WRITTEN PERMISSION.

STANDARD TOLERANCES:
(UNLESS OTHERWISE NOTED)
FRACTIONS - 1/16"
DECIMALS - 0.01"
ANGLES - 0.5°



TOWER COMPONENTS, 503-792-3739
10910 PORTLAND RD. BROOKS, OR 97305

TOTAL WT: 413.9 LB

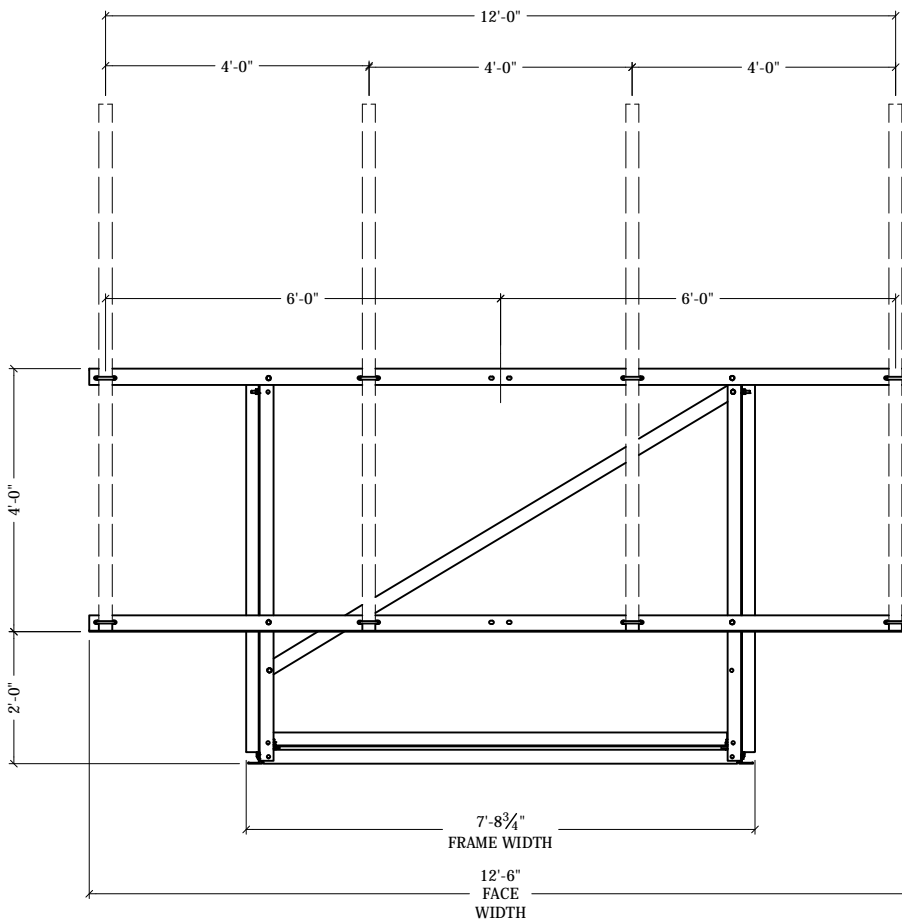
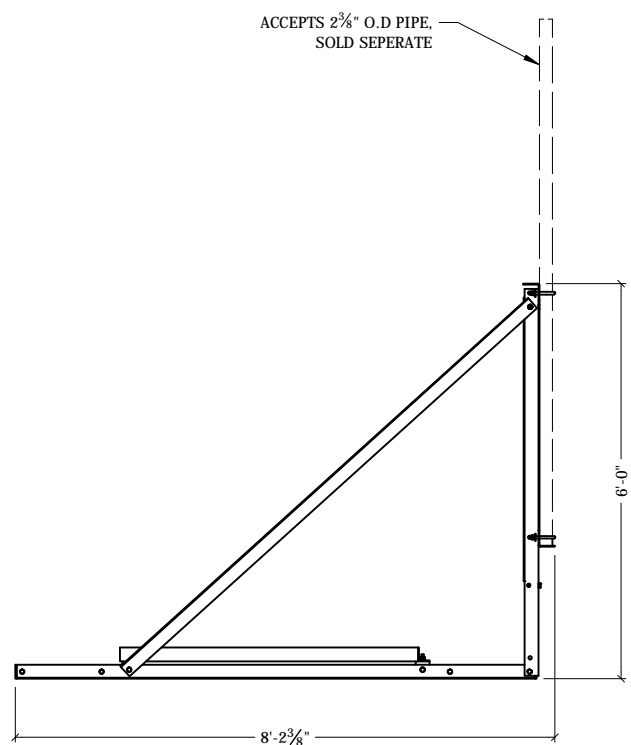
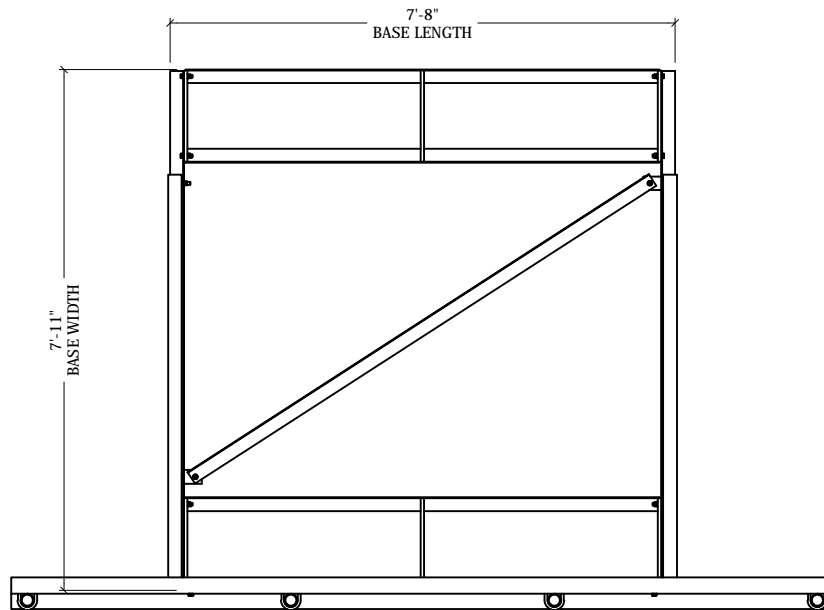
QTY:

FINISH:

JOB #:

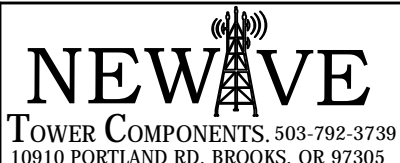
TITLE:	ROOFTOP NON-PENETRATING 12' FACE FRAME	DRAWN BY:	DATE:	CHK'D BY:
SERIES:	ROOFTOP/ WALL MOUNT	JG	7/17/2018	KY
SHEET:	1 OF 2	DRAWING NO. RTNPF-12		

REV	BY	DESCRIPTION	DATE
A	KY	SEE MODEL PROPERTIES/ COMMENTS	2/26/2016



THIS DESIGN AND INFORMATION CONTAINED ON THIS PRINT IS THE PROPERTY OF VALLEY FAB CORPORATION. ANY REPRODUCTION, DUPLICATION OR TRANSFER OF THE PROPRIETARY CONTENT IS PROHIBITED WITHOUT WRITTEN PERMISSION.

STANDARD TOLERANCES:
(UNLESS OTHERWISE NOTED)
FRACTIONS - 1/16"
DECIMALS - 0.01"
ANGLES - 0.5°



TOTAL WT: 413.9 LB
QTY:
FINISH:
JOB #:

TITLE: ROOFTOP NON-PENETRATING
12' FACE FRAME
SERIES: ROOFTOP/ WALL MOUNT SHEET: 2 OF 2

DRAWN BY: JG DATE: 7/17/2018 CHK'D BY: KY
DRAWING NO. RTNPF-12