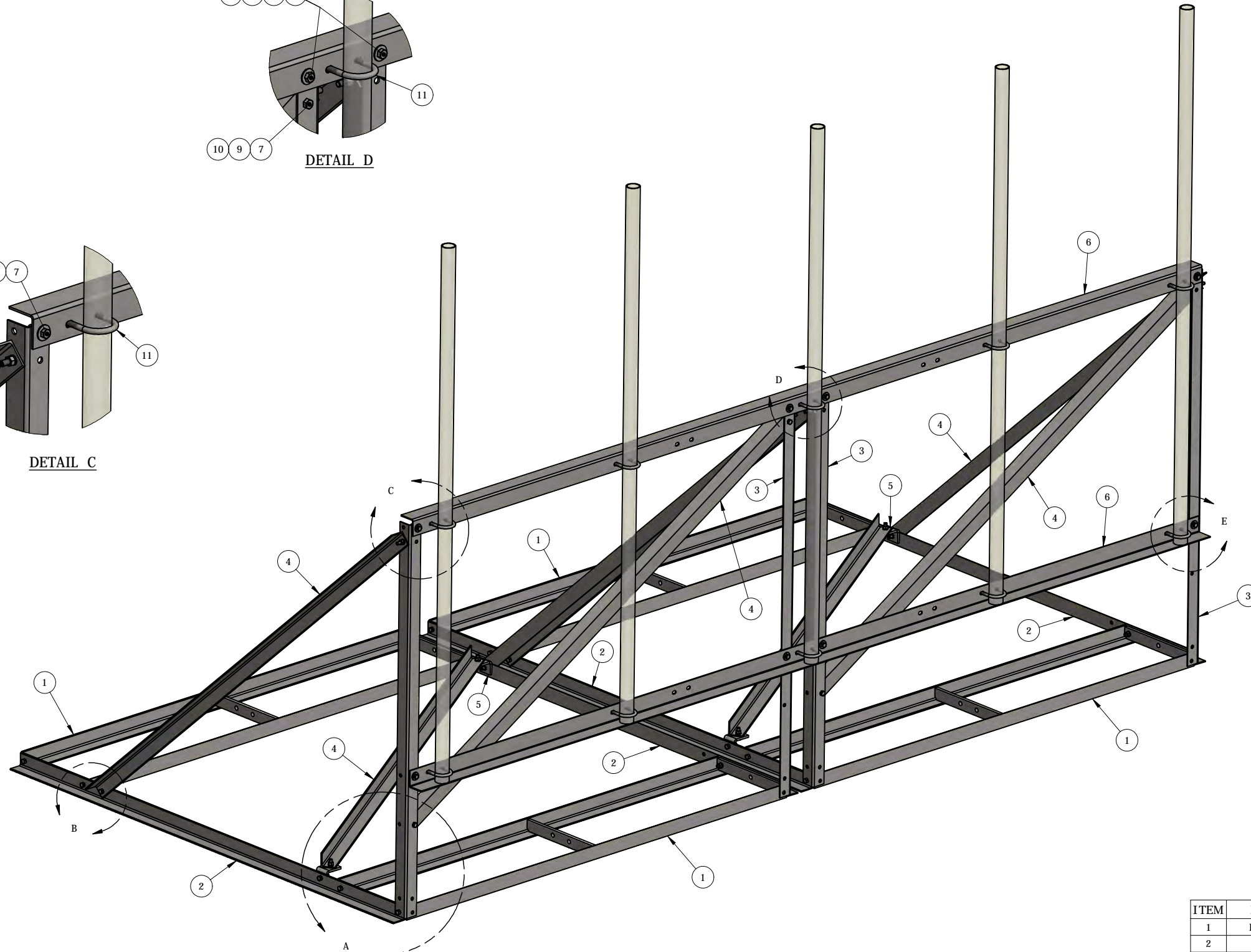
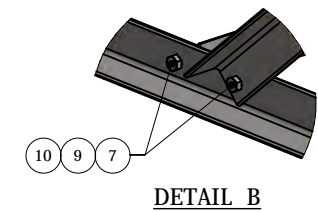
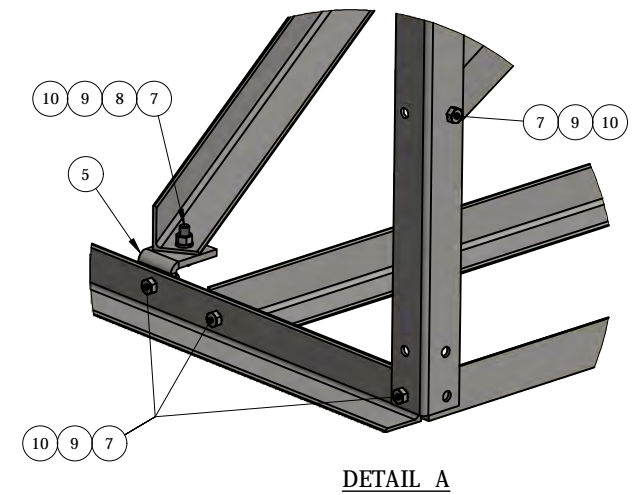
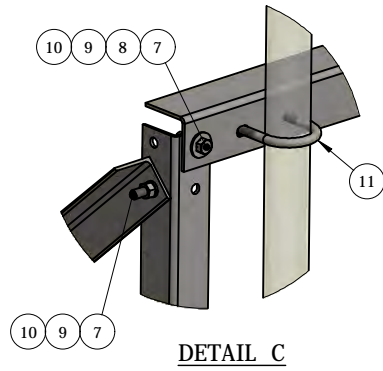
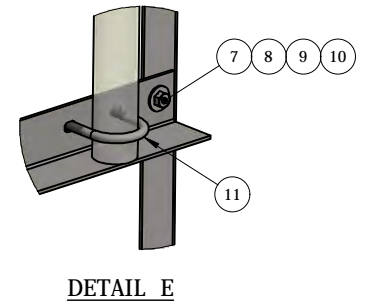
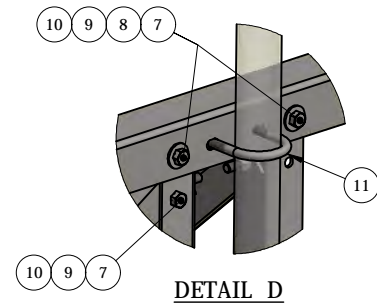


REV	BY	DESCRIPTION	DATE
A	KY	SEE MODEL PROPERTIES/ COMMENTS	2/26/2016



ITEM	PART #	QTY	DESCRIPTION	LENGTH	FINISH	UNIT WT
1	RT4007.01	4	ROOFTOP NON-PENETRATING TRAY WELDMENT		HDG	61.60
2	RTNPF.01	4	L2 1/2x2 1/2x3/16"	7'-10 1/2"	HDG	24.30
3	RTNPF.02	4	3/16" PLATE		HDG	17.53
4	RTNPF.03	8	L2 1/2x2 1/2x3/16"	8'-4 1/8"	HDG	25.80
5	RTNPF.04	4	3/8" PLATE		HDG	1.32
6	RTNPF-14.01	2	3/16" PLATE		HDG	54.21
7	27-4302-005	42	1/2" x 1 3/4" GR.5 HDG BOLT			0.15
8	27-5200-005	12	1/2 A36 HDG FLAT WASHER			0.04
9	27-5210-005	42	1/2 HDG LOCK WASHER			0.01
10	27-5222-005	42	1/2 HDG HEX NUT			0.04
11	27-6060-005	10	GALV. 1/2" x 2-1/2" x 4" GR-5 U-BOLT ASSEMBLY			0.76

THIS DESIGN AND INFORMATION CONTAINED ON THIS PRINT IS THE PROPERTY OF VALLEY FAB CORPORATION. ANY REPRODUCTION, DUPLICATION OR TRANSFER OF THE PROPRIETARY CONTENT IS PROHIBITED WITHOUT WRITTEN PERMISSION.

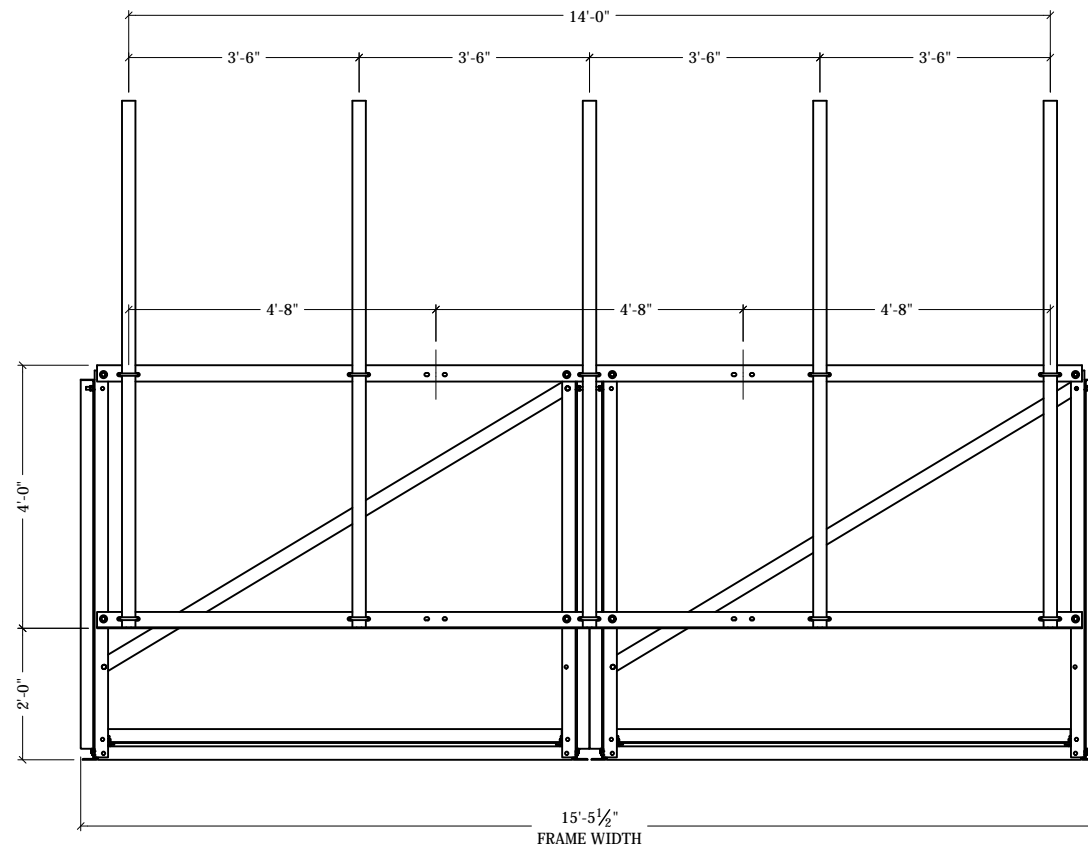
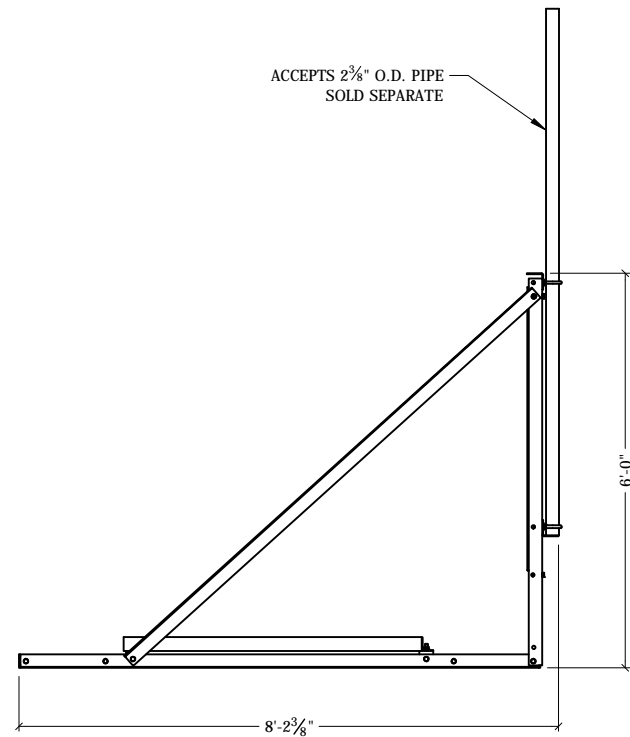
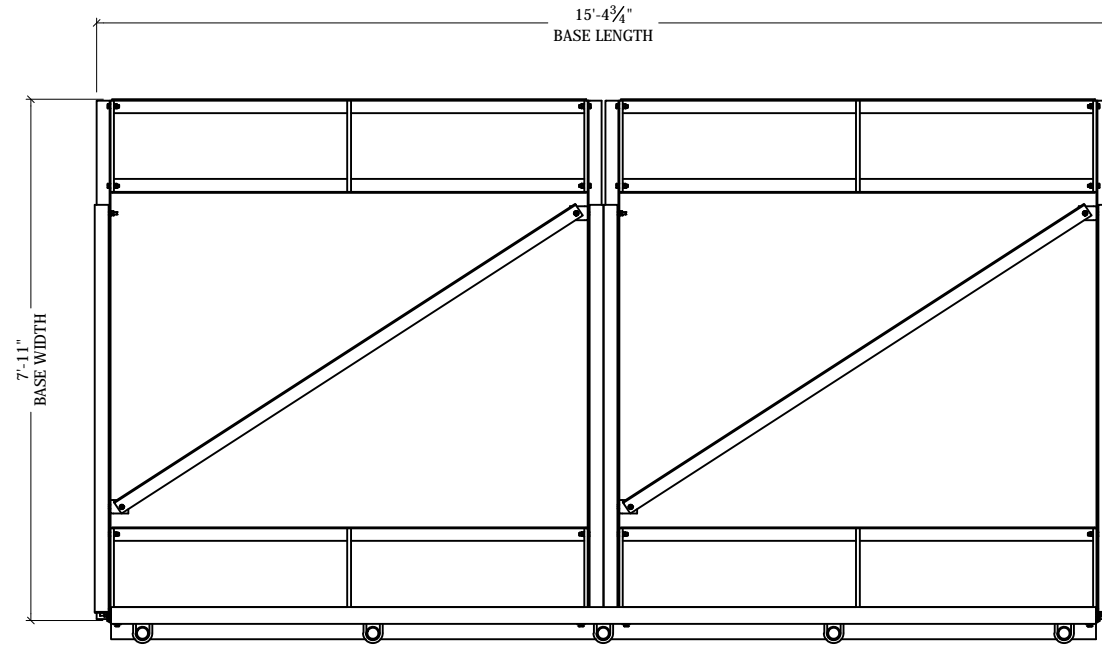
STANDARD TOLERANCES:
(UNLESS OTHERWISE NOTED)
FRACTIONS - 1/16"
DECIMALS - 0.01"
ANGLES - 0.5°


NEWAVE
TOWER COMPONENTS, 503-792-3739
10910 PORTLAND RD. BROOKS, OR 97305

TOTAL WT: 750.5 LB
QTY:
FINISH:
JOB #:

TITLE: ROOFTOP NON-PENETRATING 14' FACE FRAME		DRAWN BY: JG	DATE: 7/17/2018	CHK'D BY: KY
SERIES: ROOFTOP/ WALL MOUNT	SHEET: 1 OF 2	DRAWING NO. RTNPF-14		

REV	BY	DESCRIPTION	DATE
A	KY	SEE MODEL PROPERTIES/ COMMENTS	2/26/2016



THIS DESIGN AND INFORMATION CONTAINED ON THIS PRINT IS THE PROPERTY OF VALLEY FAB CORPORATION. ANY REPRODUCTION, DUPLICATION OR TRANSFER OF THE PROPRIETARY CONTENT IS PROHIBITED WITHOUT WRITTEN PERMISSION.	
STANDARD TOLERANCES: (UNLESS OTHERWISE NOTED)	 NEWAVE TOWER COMPONENTS, 503-792-3739 10910 PORTLAND RD. BROOKS, OR 97305
FRACTIONS - 1/16" DECIMALS - 0.01" ANGLES - 0.5°	
TOTAL WT: 750.5 LB	TITLE: ROOFTOP NON-PENETRATING 14' FACE FRAME
QTY:	SERIES: ROOFTOP/ WALL MOUNT
FINISH:	SHEET: 2 OF 2
JOB #:	RTNPF-14

DRAWN BY: JG	DATE: 7/17/2018	CHK'D BY: KY
--------------	-----------------	--------------