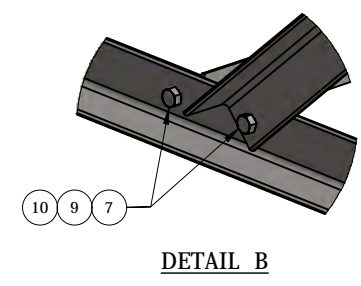
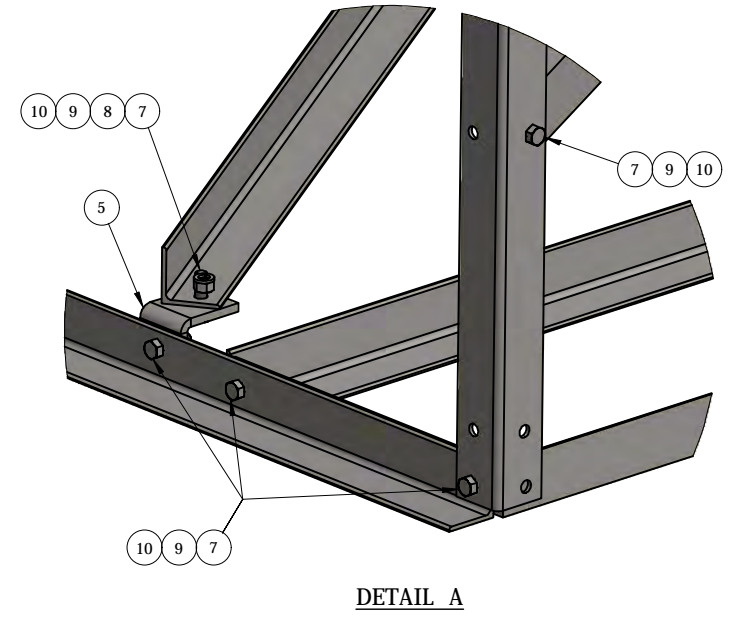
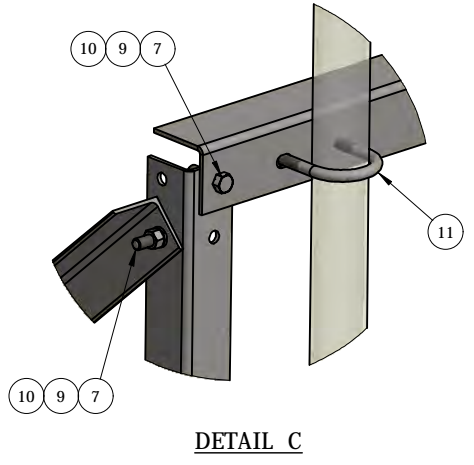
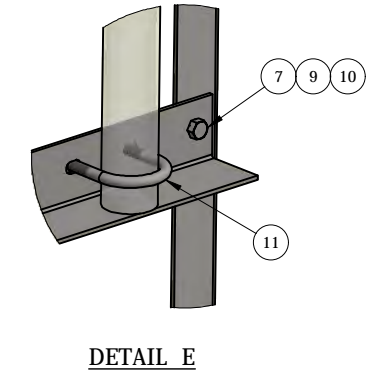
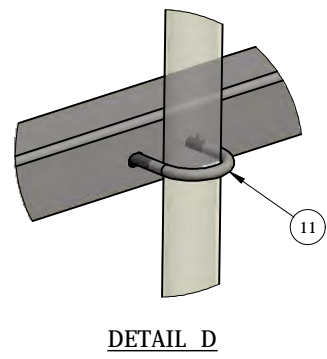
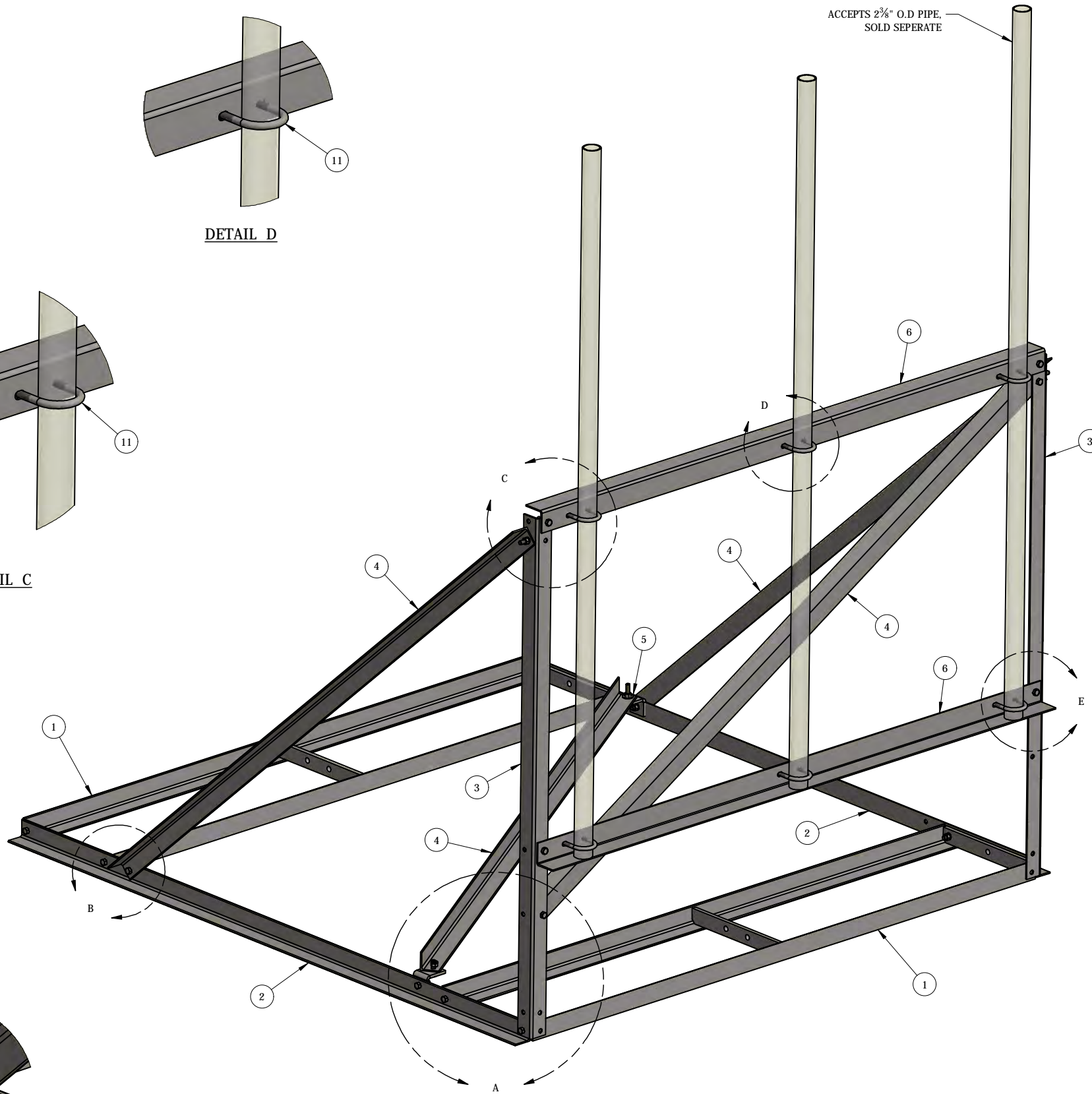


REV	BY	DESCRIPTION	DATE
A	KY	SEE MODEL PROPERTIES/ COMMENTS	2/26/2016



THIS DESIGN AND INFORMATION CONTAINED ON THIS PRINT IS THE PROPERTY OF VALLEY FAB CORPORATION. ANY REPRODUCTION, DUPLICATION OR TRANSFER OF THE PROPRIETARY CONTENT IS PROHIBITED WITHOUT WRITTEN PERMISSION.

**STANDARD TOLERANCES:**  
(UNLESS OTHERWISE NOTED)  
FRACTIONS - 1/16"  
DECIMALS - 0.01"  
ANGLES - 0.5°

**NEWAVE**  
TOWER COMPONENTS, 503-792-3739  
10910 PORTLAND RD. BROOKS, OR 97305

TOTAL WT: 373.95 LB  
QTY:  
FINISH:  
JOB #:

ITE	PART #	QTY	DESCRIPTION	LENGTH	FINISH	UNIT W
1	RT4007.01	2	ROOFTOP NON-PENETRATING TRAY WELDMENT		HDG	61.60
2	RTNPF.01	2	L2 1/2x2 1/2x3/16"	7'-10 1/2"	HDG	24.30
3	RTNPF.02	2	3/16" PLATE		HDG	17.53
4	RTNPF.03	4	L2 1/2x2 1/2x3/16"	8'-4 1/8"	HDG	25.80
5	RTNPF.04	2	3/8" PLATE		HDG	1.32
6	RTNPF-7.01	2	3/16" PLATE		HDG	26.15
7	27-4302-005	21	1/2" x 1 3/4" GR.5 HDG BOLT			0.15
8	27-5200-005	2	1/2 A36 HDG FLAT WASHER			0.04
9	27-5210-005	21	1/2 HDG LOCK WASHER			0.01
10	27-5222-005	21	1/2 HDG HEX NUT			0.04
11	27-6060-005	6	GALV. 1/2" x 2-1/2" x 4" GR-5 U-BOLT ASSEMBLY			0.76

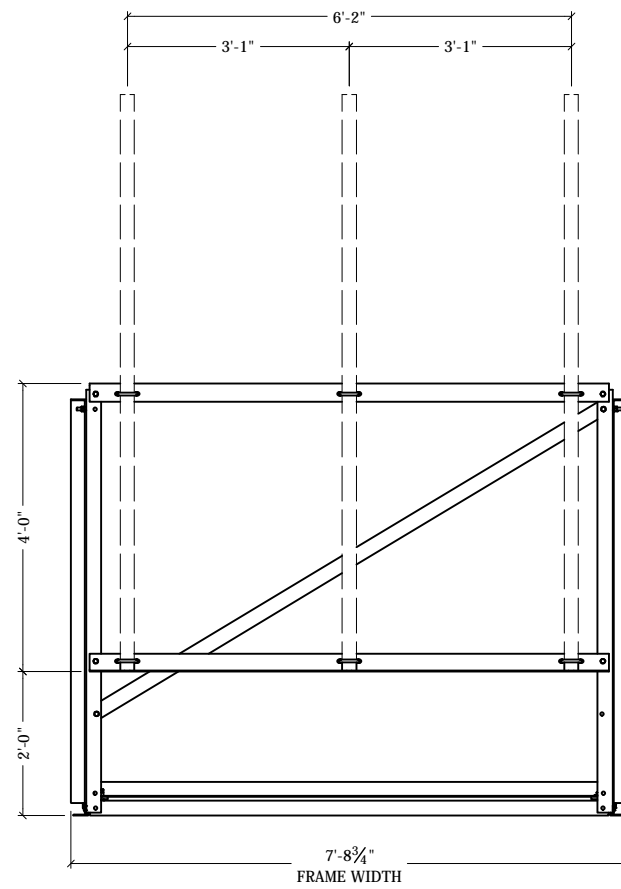
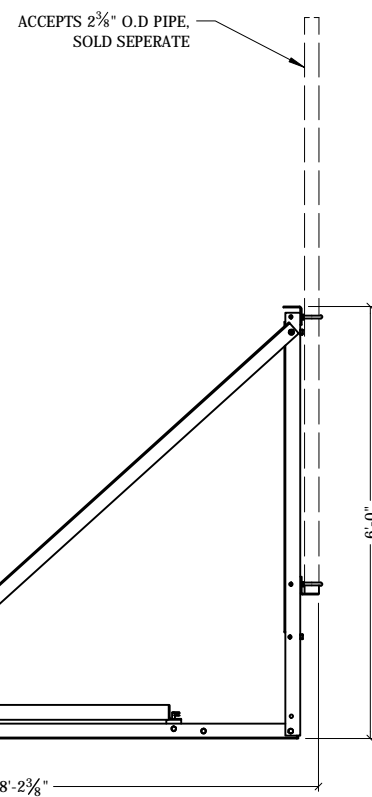
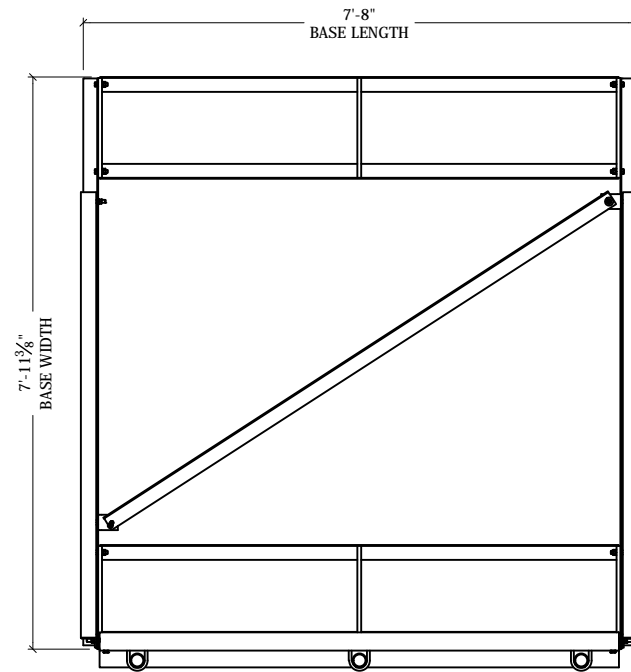
TITLE: **ROOFTOP NON-PENETRATING 7' FACE FRAME**


SERIES: ROOFTOP/WALL MOUNT SHEET: 1 OF 2

DRAWN BY: JG DATE: 7/17/2018 CHK'D BY: KY

DRAWING NO. RTNPF-7

REV	BY	DESCRIPTION	DATE
A	KY	SEE MODEL PROPERTIES/ COMMENTS	2/26/2016



THIS DESIGN AND INFORMATION CONTAINED ON THIS PRINT IS THE PROPERTY OF VALLEY FAB CORPORATION. ANY REPRODUCTION, DUPLICATION OR TRANSFER OF THE PROPRIETARY CONTENT IS PROHIBITED WITHOUT WRITTEN PERMISSION.	
<b>STANDARD TOLERANCES:</b> (UNLESS OTHERWISE NOTED) FRACTIONS - 1/16" DECIMALS - 0.01" ANGLES - 0.5°	 <b>NEWAVE</b> TOWER COMPONENTS, 503-792-3739 10910 PORTLAND RD. BROOKS, OR 97305
TOTAL WT: 373.95 LB	
QTY:	
FINISH:	
JOB #:	

TITLE: ROOFTOP NON-PENETRATING 7' FACE FRAME		DRAWN BY: JG DATE: 7/17/2018 CHECK'D BY: KY
SERIES: ROOFTOP/WALL MOUNT	SHEET: 2 OF 2	DRAWING NO. RTNPF-7