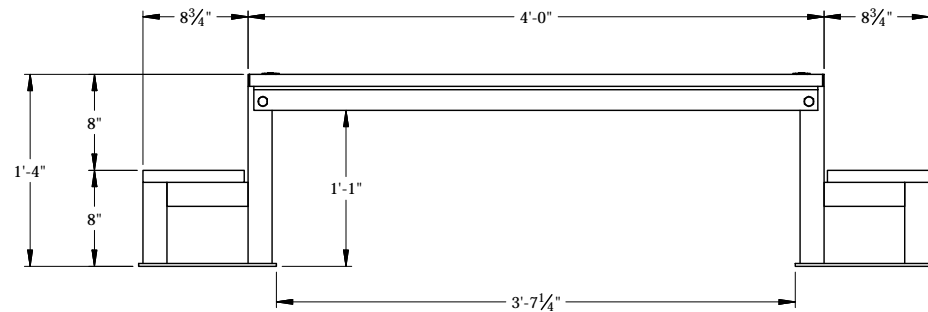
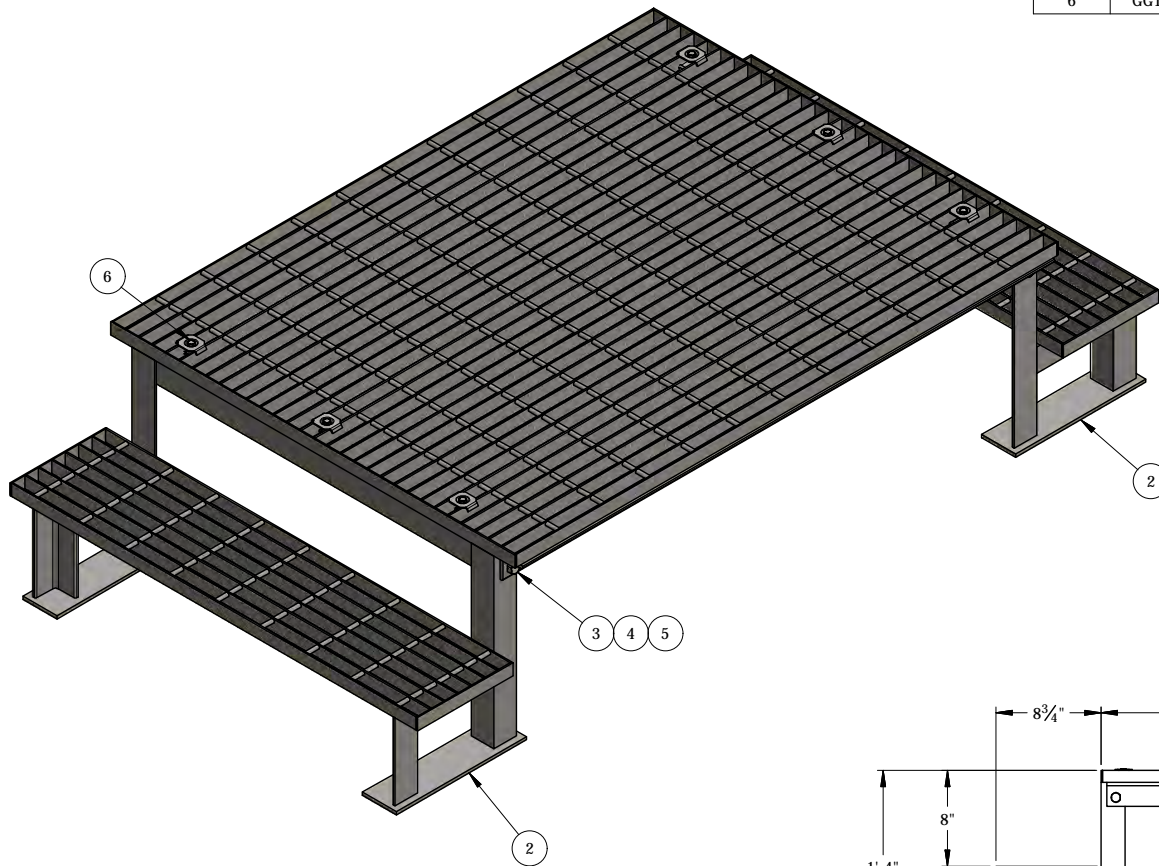


ITEM	PART #	DESCRIPTION	QTY	UNIT WT
1	RTSP48-36.01	48" STEP WELDMENT	1	87.75
2	RTSP48-36.02	36" STEP WELDMENT	2	40.23
3	27-4301-005	GALV. 1/2" x 1-1/2" GR.5 BOLT	4	0.13
4	27-5210-005	GALV. 1/2" LOCK WASHER	4	0.01
5	27-5222-005	GALV. 1/2" HEX NUT	4	0.04
6	GG1A CLIP	"G" CLIP FOR 1" BAR GRATING, UP-TO 5/8" ADDITION GRIP	6	0.17



FRONT VIEW

QTY:
CHK:

STANDARD TOLERANCES:
(UNLESS OTHERWISE NOTED)
FRACTIONS - 1/16"
DECIMALS - .005"
ANGLES - .5°

THIS DESIGN AND INFORMATION CONTAINED ON THIS PRINT IS THE PROPERTY OF NEWAVE TOWER COMPONENTS LLC. ANY REPRODUCTION, DUPLICATION OR TRANSFER OF THE PROPRIETARY CONTENT IS PROHIBITED WITHOUT WRITTEN PERMISSION.

NEWAVE
Tower Components. 503-792-3739
10910 PORTLAND RD. BROOKS, OR 97305

MATERIAL: AS SHOWN
HOLES: AS SHOWN
FINISH: HDG
DRAWN BY: RJ
CHECKED BY: CJW
DATE: 10/23/2017

TITLE: ROOFTOP, 48" STEP-OVER
36" WIDTH
SERIES: ROOFTOP/WALL MOUNT
PART WT (BARE): 135.1 LB
DRAWING NO. RTSP48-36
SHEET: 1 OF 1