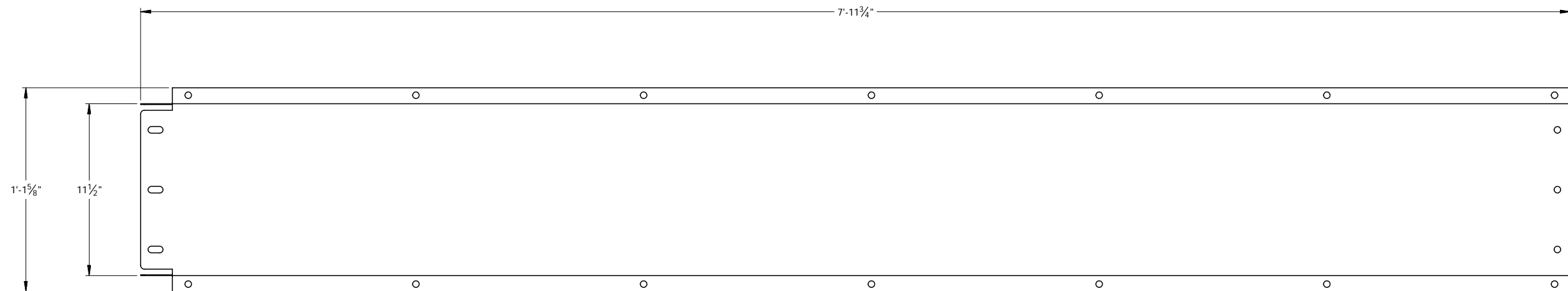
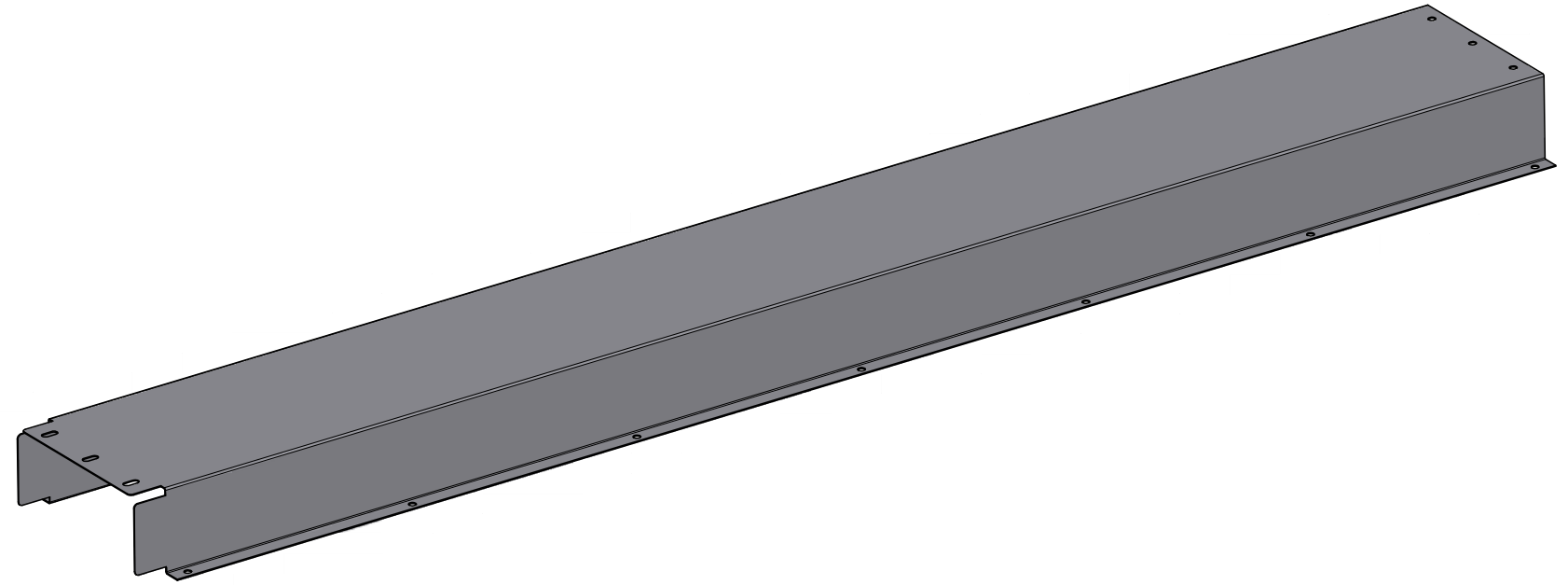


END VIEW



QTY:
CHK:

STANDARD TOLERANCES: (UNLESS OTHERWISE NOTED) FRACTIONS ±1/16" DECIMALS ±.005" ANGLES ±.5°	THIS DESIGN AND INFORMATION CONTAINED ON THIS PRINT IS THE PROPERTY OF NEWAVE TOWER COMPONENTS LLC. ANY REPRODUCTION, DUPLICATION OR TRANSFER OF THE PROPRIETARY CONTENT IS PROHIBITED WITHOUT WRITTEN PERMISSION.	 TOWER COMPONENTS, 503-792-3739 10910 PORTLAND RD. BROOKS, OR 97305	MATERIAL: 16 GA	DRAWN BY: KY	TITLE: WALL MOUNT COAX COVER 4 RUNS - SINGLE STACK	
			HOLES: AS SHOWN	CHECKED BY:	SERIES: ROOFTOP/WALL MOUNTING	PART WT (BARE): 38.6 LB
			FINISH: G90 - GALV.	DATE: 9/23/2014		