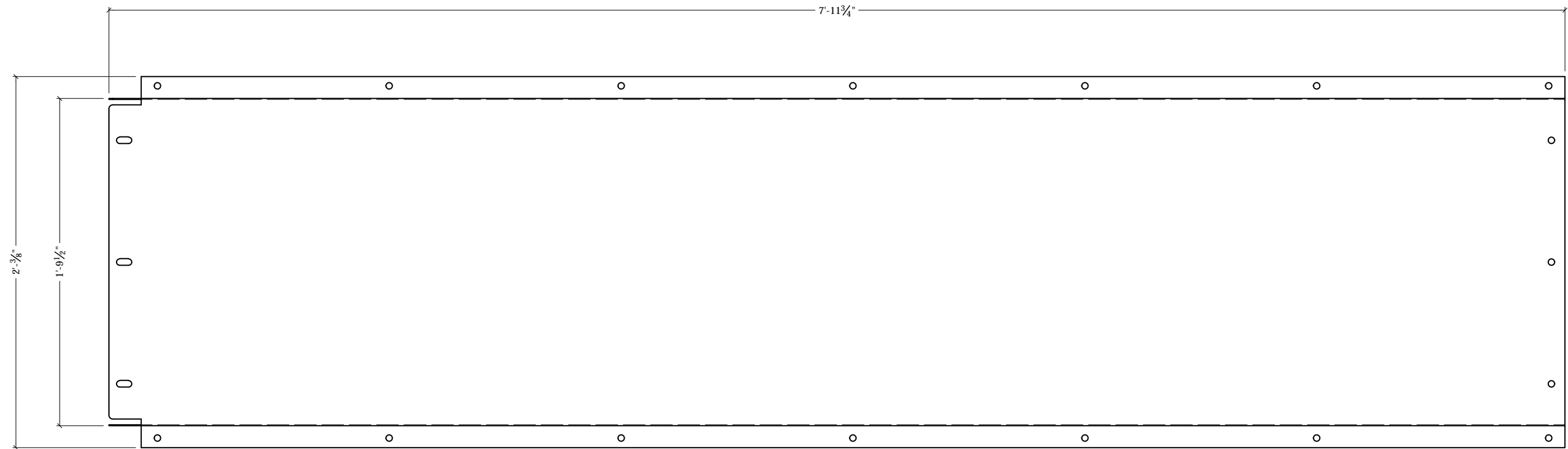
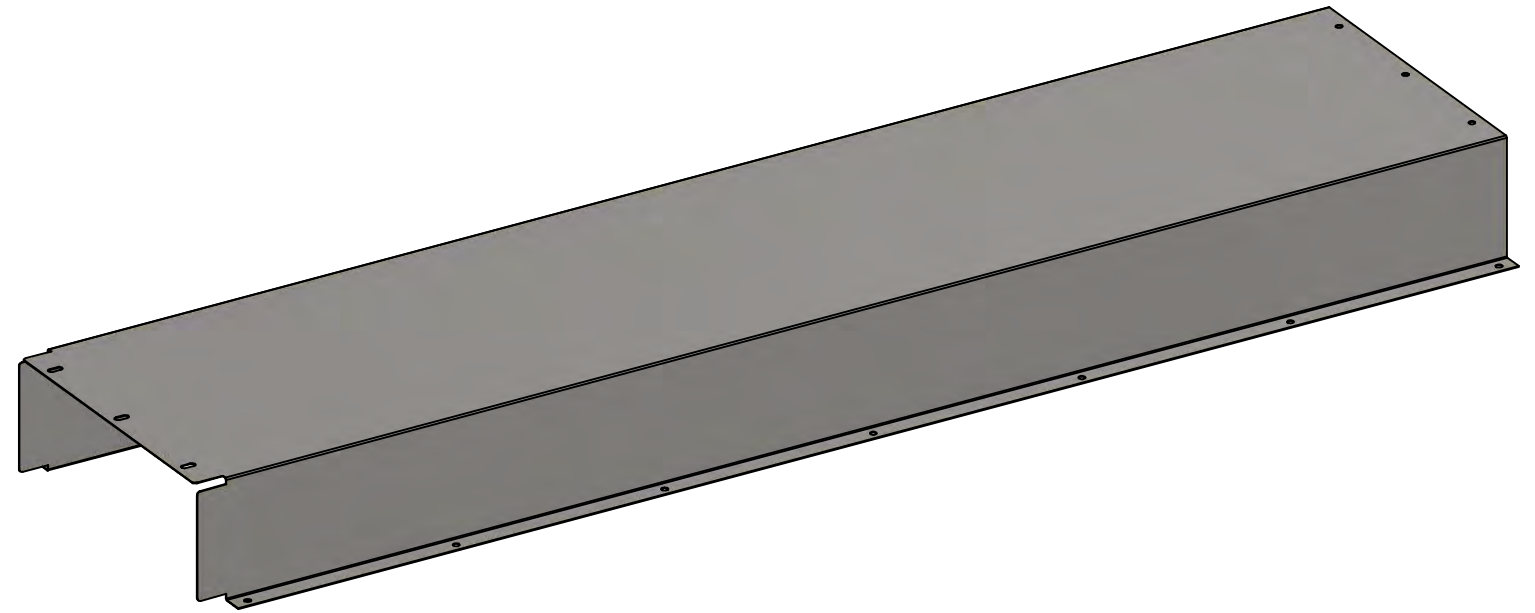


END VIEW



<small>THIS DESIGN AND INFORMATION CONTAINED ON THIS PRINT IS THE PROPERTY OF VALLEY FAB CORPORATION. ANY REPRODUCTION, DUPLICATION OR TRANSFER OF THE PROPRIETARY CONTENT IS PROHIBITED WITHOUT WRITTEN PERMISSION.</small>	
<b>STANDARD TOLERANCES:</b> <small>(UNLESS OTHERWISE NOTED)</small> FRACTIONS - 1/16" DECIMALS - 0.01" ANGLES - 0.5°	 <b>NEWAVE</b> TOWER COMPONENTS, 503-792-3739 10910 PORTLAND RD. BROOKS, OR 97305
TOTAL WT: 66.5 LB	TITLE: WALL MOUNT COAX COVER
QTY:	8 RUNS - DOUBLE STACK
FINISH: G90	SERIES: ROOFTOP/WALL MOUNTING
JOB #:	SHEET: 2 OF 2

DRAWN BY: JG DATE: 8/6/2019 CHECK'D BY:	DRAWING NO. RTW1590-8D
---	------------------------