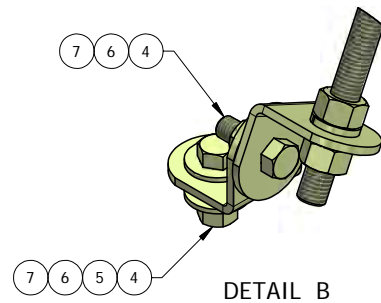


DETAIL A



DETAIL B

| ITEM | PART # | DESCRIPTION | QTY | UNIT WT |
|------|-------------|--|-----|---------|
| 1 | SMB-11.01 | SEISMIC BRACING BENT ANGLE PLATE | 4 | 0.39 |
| 2 | SMB-11.02 | 3/16" U-CLAMP PLATE | 1 | 0.38 |
| 3 | GBB-CH-58 | 5/8" INSULATOR CHARRY | 1 | 0.45 |
| 4 | 27-2067-001 | YELLOW ZINC - 1/2" x 1-1/2" GR.8 BOLT | 3 | 0.13 |
| 5 | 27-2063-001 | YELLOW ZINC 1/2" FLAT WASHER | 2 | 0.04 |
| 6 | 27-2062-001 | YELLOW ZINC - 1/2" LOCK WASHER | 3 | 0.01 |
| 7 | 27-2060-001 | YELLOW ZINC 1/2" HEX NUT GR.8 | 3 | 0.04 |
| 8 | 27-4000-001 | YELLOW ZINC 5/8" x 12" ALL-THREAD - GR.8 | 1 | 1.04 |
| 9 | 27-4010-001 | YELLOW ZINC 5/8" x 24" ALL-THREAD - GR.8 | 1 | 2.09 |
| 10 | 27-2087-001 | YELLOW ZINC - 5/8" x 3-1/2" GR.8 BOLT | 1 | 0.41 |
| 11 | 27-2082-001 | YELLOW ZINC - 5/8" LOCK WASHER | 5 | 0.03 |
| 12 | 27-2080-001 | YELLOW ZINC 5/8" HEX NUT GR.8 | 5 | 0.08 |

QTY:
CHK:

STANDARD TOLERANCES:
(UNLESS OTHERWISE NOTED)
FRACTIONS ±1/16"
DECIMALS ±.005"
ANGLES ±.5°

THIS DESIGN AND INFORMATION CONTAINED ON THIS PRINT IS THE PROPERTY OF NEWAVE TOWER COMPONENTS LLC. ANY REPRODUCTION, DUPLICATION OR TRANSFER OF THE PROPRIETARY CONTENT IS PROHIBITED WITHOUT WRITTEN PERMISSION.



MATERIAL: AS SHOWN
HOLES: AS SHOWN
FINISH: YLW ZINC
DRAWN BY: KY
CHECKED BY:
DATE: 12/12/2013

TITLE: SEISMIC BRACING KIT WITH 1'-0" & 2'-0" ALL THREAD
SERIES: SITE ACCESSORIES
PART WT (BARE): 7.1 LB
DRAWING NO. SMB-1124
SHEET: 1 OF 1