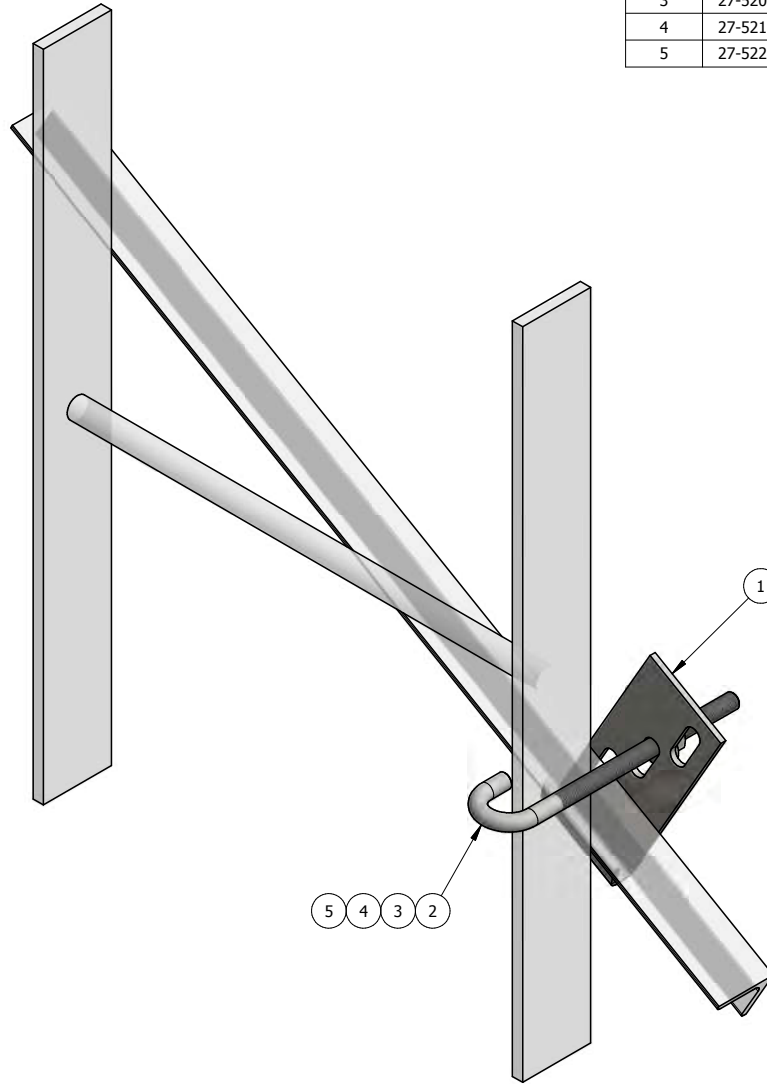


ITEM	PART #	DESCRIPTION	QTY	UNIT WT
1	TCLHK-A.01	TOWER CLIMB LADDER ANGLE BRACKET	1	1.25
2	27-5352-005	GALV. 1/2" x 8" J-BOLT W/ 1-1/8" SPACING	1	0.59
3	27-5200-005	GALV. 1/2" FLAT WASHER	1	0.04
4	27-5210-005	GALV. 1/2" LOCK WASHER	1	0.01
5	27-5222-005	GALV. 1/2" HEX NUT	1	0.04



QTY:  
CHK:

**STANDARD TOLERANCES:**  
(UNLESS OTHERWISE NOTED)  
FRACTIONS ±1/16"  
DECIMALS ±.005"  
ANGLES ±.5°

THIS DESIGN AND INFORMATION CONTAINED ON THIS PRINT IS THE PROPERTY OF NEWAVE TOWER COMPONENTS LLC. ANY REPRODUCTION, DUPLICATION OR TRANSFER OF THE PROPRIETARY CONTENT IS PROHIBITED WITHOUT WRITTEN PERMISSION.

**NEWAVE**  
TOWER COMPONENTS. 503-792-3739  
10910 PORTLAND RD. BROOKS, OR 97305

MATERIAL: AS SHOWN  
HOLES: AS SHOWN  
FINISH: HDG

DRAWN BY: KY  
CHECKED BY: -  
DATE: 10/28/2016

TITLE: TOWER CLIMB LADDER HARDWARE ATTACHMENT, SINGLE PACK  
SERIES: SAFETY CLIMB ACCESSORIES  
PART WT (BARE): 2 LB  
DRAWING NO. TCLHK-A  
SHEET: 1 OF 1