

DETAIL - A

ITEM	PART #	QTY	DESCRIPTION	LENGTH	FINISH	UNIT WT
1	P35-160	4	3" STD PIPE	13'-4"	HDG	101.12
2	PC35	4	3-1/2" O.D PIPE CAP		HDG	0.30
3	WB5011-10	1	2' x 2" x 14 GA GRIP STRUT	10'	G90 HDG	74.01
4	WB5020-24.01	2	3/16" PLATE		HDG	10.62
5	SFW-716G	8	1/4" PLATE		HDG	0.18
6	27-4210-005	8	3/8" x 2 3/4" GR.5 HDG FULLY THREADED BOLT			0.10
7	27-5010-005	8	3/8 A36 HDG FLAT WASHER			0.01
8	27-5020-005	8	3/8 HDG LOCK WASHER			0.01
9	27-5030-005	8	3/8" HDG HEX NUT			0.02
10	27-6090-005	4	GALV. 1/2" x 3 5/8" x 5" U-BOLT ASSEMBLY			0.90

THIS DESIGN AND INFORMATION CONTAINED ON THIS PRINT IS THE PROPERTY OF VALLEY FAB CORPORATION. ANY REPRODUCTION, DUPLICATION OR TRANSFER OF THE PROPRIETARY CONTENT IS PROHIBITED WITHOUT WRITTEN PERMISSION.

STANDARD TOLERANCES:

(UNLESS OTHERWISE NOTED)
 FRACTIONS - 1/16"
 DECIMALS - 0.01"
 ANGLES - 0.5°

NEWAVE
 TOWER COMPONENTS. 503-792-3739
 10910 PORTLAND RD. BROOKS, OR 97305

TOTAL WT: 507.1 LB

QTY:

FINISH:

JOB #:

TITLE:

**WAVEGUIDE BRIDGE KIT
 (4) BURIAL POSTS W/ 13'-4" COLUMNS**

SERIES: COAX ICE BRIDGEE

SHEET: 1 OF 2

DRAWN BY:

JG

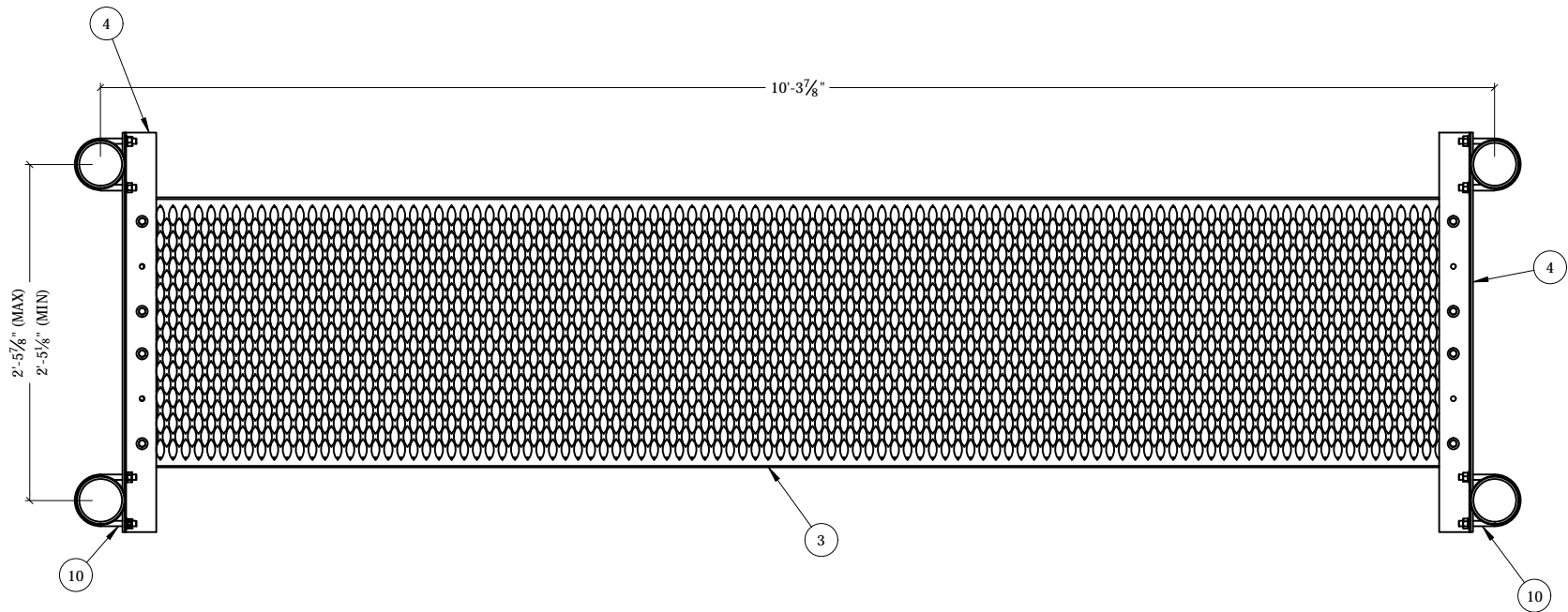
DATE:

7/17/2018

CHK'D BY:

DRAWING NO.

WB5002-24DB




THIS DESIGN AND INFORMATION CONTAINED ON THIS PRINT IS THE PROPERTY OF VALLEY FAB CORPORATION. ANY REPRODUCTION, DUPLICATION OR TRANSFER OF THE PROPRIETARY CONTENT IS PROHIBITED WITHOUT WRITTEN PERMISSION.

STANDARD TOLERANCES:

(UNLESS OTHERWISE NOTED)

FRACTIONS - 1/16"
 DECIMALS - 0.01"
 ANGLES - 0.5°

NEWAVE

 TOWER COMPONENTS. 503-792-3739
 10910 PORTLAND RD. BROOKS, OR 97305

TOTAL WT: 507.1 LB

QTY:

FINISH:

JOB #:

TITLE:

WAVEGUIDE BRIDGE KIT
 (4) BURIAL POSTS W/ 13'-4" COLUMNS

SERIES: COAX ICE BRIDGEE

SHEET: 2 OF 2

DRAWN BY:

DATE:

CHK'D BY:

JG 7/17/2018

DRAWING NO.

WB5002-24DB