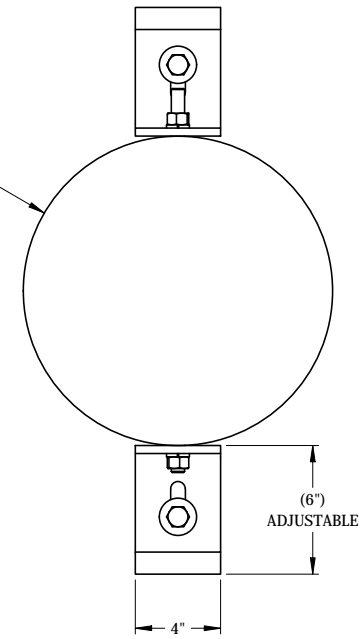


Ø1'-2½" REF ONLY
(WOODPOLE)



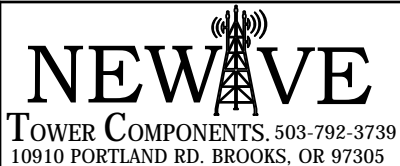
TOP VIEW

ITEM	PART #	QTY	DESCRIPTION	LENGTH	FINISH	UNIT WT
1	WP-SCAM-4.01	4	3/8 PLATE		HDG	3.93
2	WP-SCAM-4.02	4	3/8 PLATE		HDG	3.85
3	25- TR58-18	2	GALV. 5/8" x 18" ALL-THREAD			1.56
4	27-4403-005	4	5/8 x 2 GR.5 HDG BOLT			0.27
5	27-5370-005	4	5/8 A36 HDG FLAT WASHER			0.08
6	27-5380-005	8	5/8 HDG LOCK WASHER			0.03
7	27-5391-005	8	5/8" HDG HEX NUT			0.08

THIS DESIGN AND INFORMATION CONTAINED ON THIS PRINT IS THE PROPERTY OF VALLEY FAB CORPORATION. ANY REPRODUCTION, DUPLICATION OR TRANSFER OF THE PROPRIETARY CONTENT IS PROHIBITED WITHOUT WRITTEN PERMISSION.

STANDARD TOLERANCES:

(UNLESS OTHERWISE NOTED)
 FRACTIONS - 1/16"
 DECIMALS - 0.01"
 ANGLES - 0.5°



TOTAL WT: 36.5 LB

QTY:

FINISH:

JOB #:

TITLE:

**WOODPOLE, SMALL CELL ANTENNA MOUNT
SINGLE SIDE, 4" WIDE BRACKETS**

SERIES: WOODPOLE MOUNT

SHEET: 1 OF 1

DRAWN BY:

JG

DATE:

6/21/2019

CHK'D BY:

CJW

DRAWING NO.

WP-SCAM-4