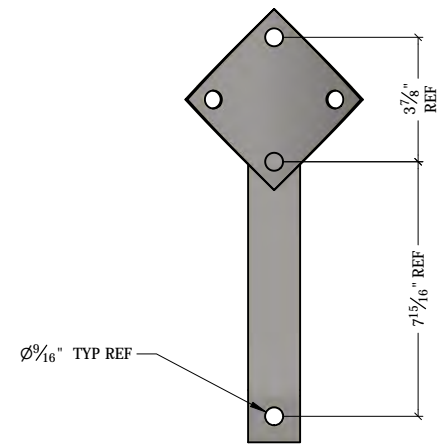


SIDE VIEW



END VIEW

THIS DESIGN AND INFORMATION CONTAINED ON THIS PRINT IS THE PROPERTY OF VALLEY FAB CORPORATION. ANY REPRODUCTION, DUPLICATION OR TRANSFER OF THE PROPRIETARY CONTENT IS PROHIBITED WITHOUT WRITTEN PERMISSION.

STANDARD TOLERANCES:

(UNLESS OTHERWISE NOTED)

FRACTIONS - 1/16"
 DECIMALS - 0.01"
 ANGLES - 0.5°

NEWAVE
 TOWER COMPONENTS. 503-792-3739
 10910 PORTLAND RD. BROOKS, OR 97305

TOTAL WT: 4.5 LB

QTY:

FINISH: HDG

JOB #:

TITLE:

**WOODPOLE, 24" STANDOFF, SUPPORT
 MOUNT FOR CONDUIT W/ BOTTOM STIFFENER**

SERIES: WOODPOLE MOUNT

DRAWN BY:

JG 8/31/2018

DRAWING NO.

WPCM-24S

CHK'D BY:

KY

SHEET: 2 OF 2